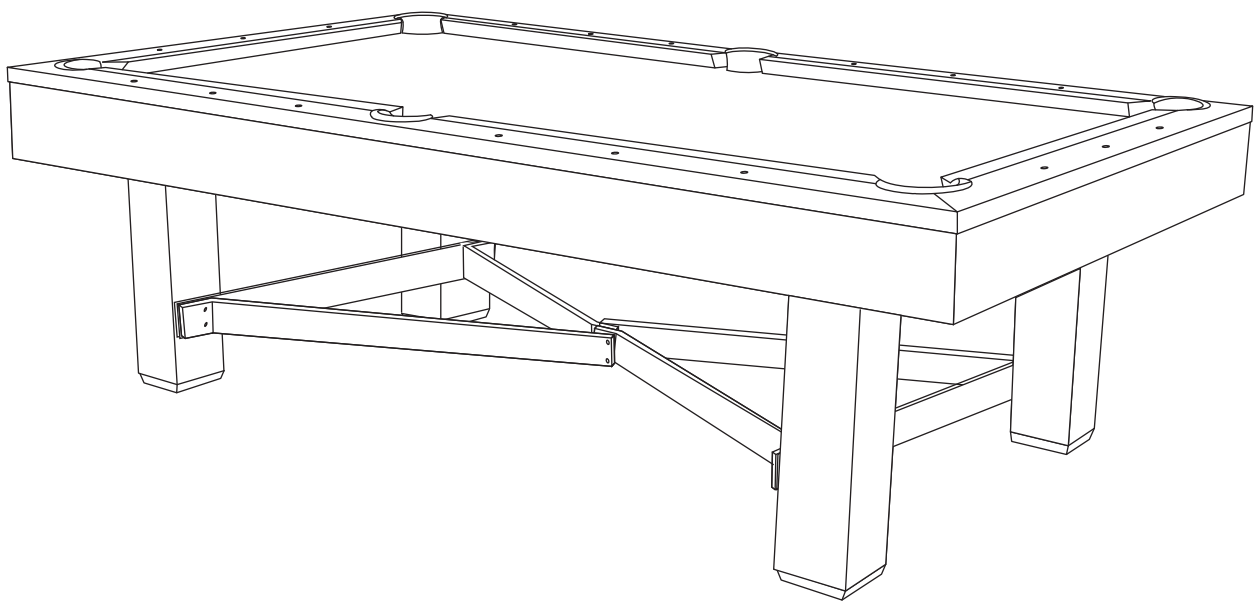
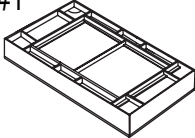





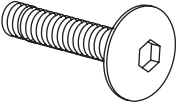
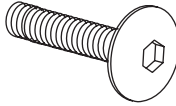
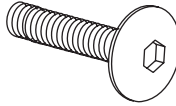


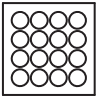

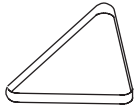
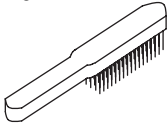

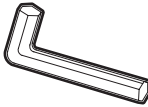
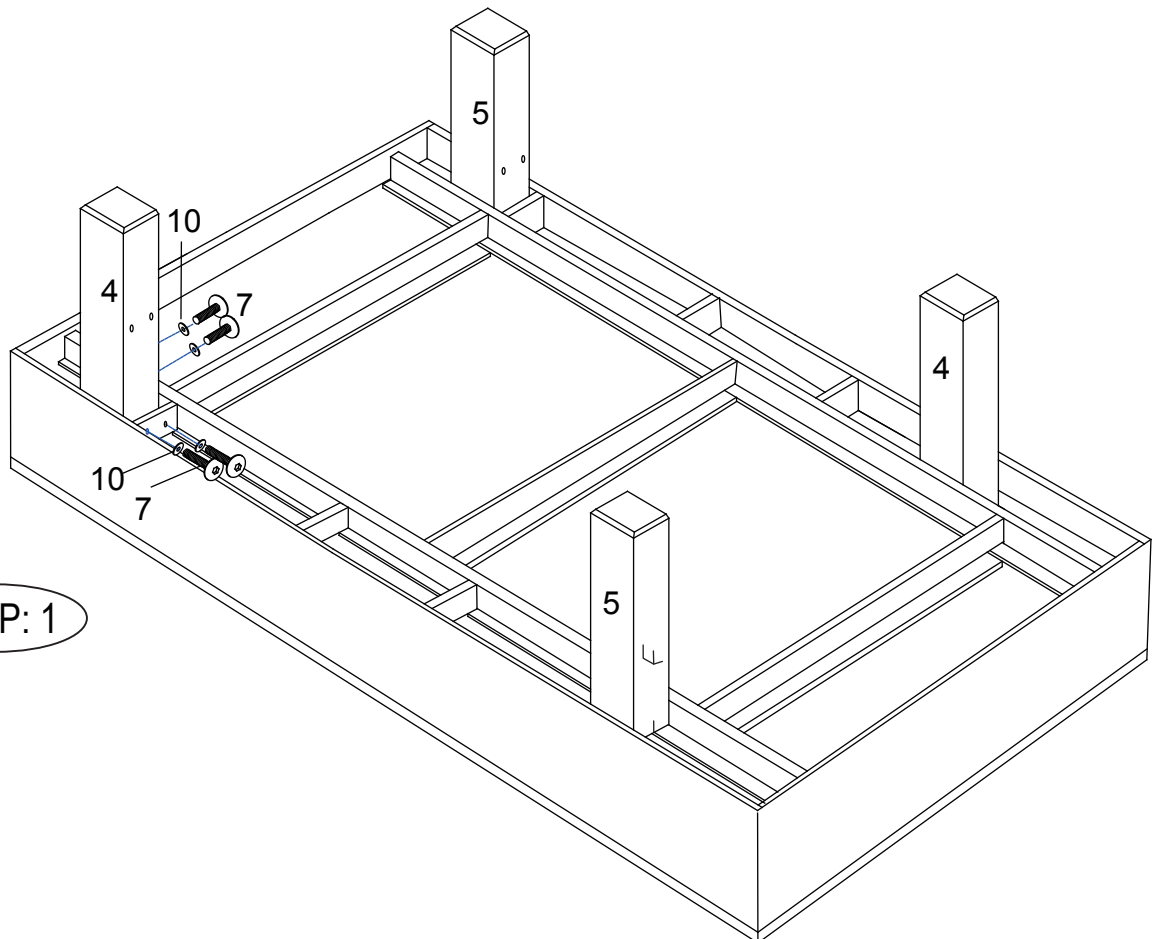


BTU-3505



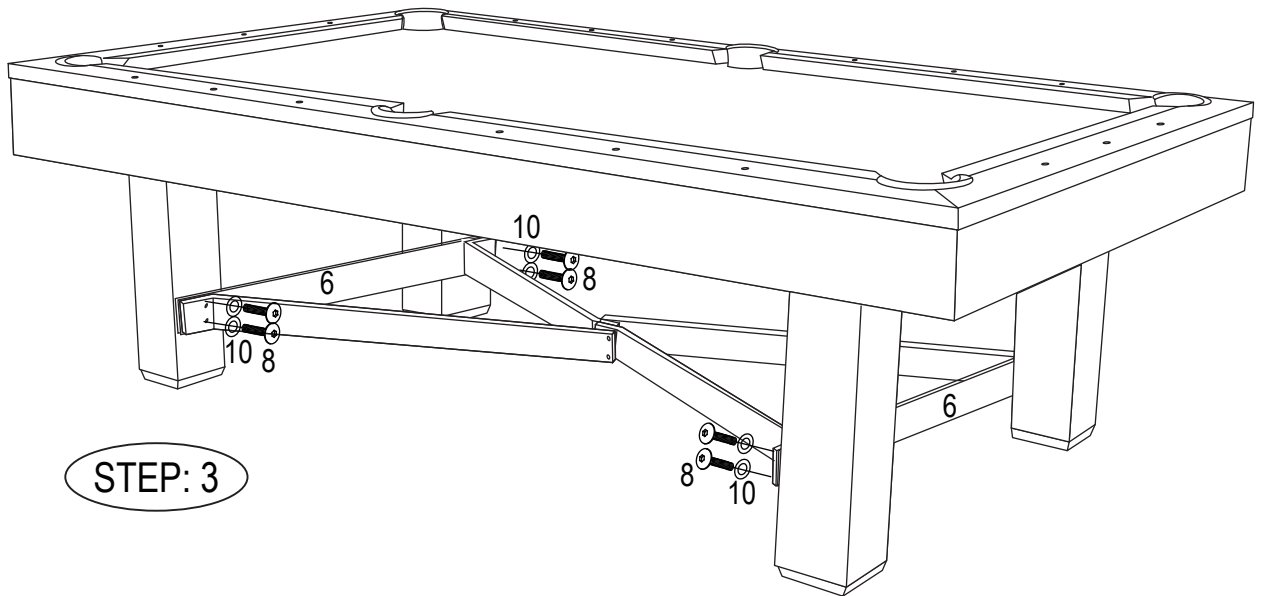
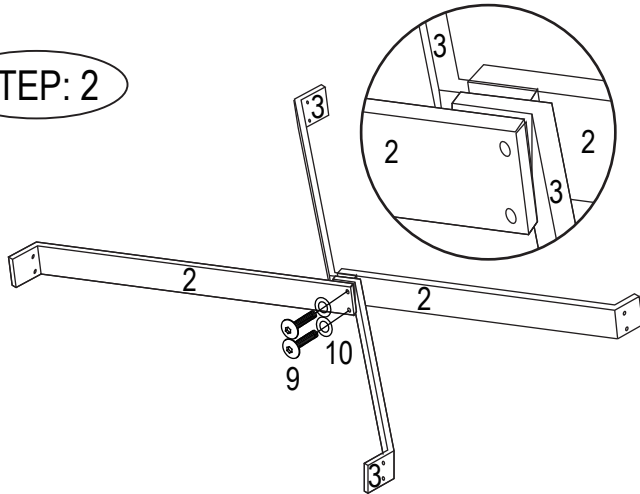
Parts List

<p>#1</p>  <p>Billiard Cabinet 1 Piece</p>	<p>#2</p>  <p>Leg Side Panel 1 2 Piece</p>	<p>#3</p>  <p>Leg Side Panel 2 2 Pieces</p>	<p>#4</p>  <p>Left Leg 2 Pieces</p>	<p>#5</p>  <p>Right Leg 2 Pieces</p>	<p>#6</p>  <p>End Leg Panel 2 Pieces</p>
<p>#7</p>  <p>8x40 mm Bolt 16 Pieces</p>	<p>#8</p>  <p>8x50 mm Bolt 8 Pieces</p>	<p>#9</p>  <p>8x60 mm Bolt 2 Pieces</p>	<p>#10</p>  <p>8x19 mm Washer 26 Pieces</p>	<p>#11</p>  <p>Shims 1 SET</p>	<p>#12</p>  <p>2-1/4" Billiard Ball 1 Sets</p>
<p>#13</p>  <p>57" Cue 2 Pieces</p>	<p>#14</p>  <p>2-1/4" Triangle 1 Piece</p>	<p>#15</p>  <p>Brush 1 Piece</p>	<p>#16</p>  <p>Chalk 2 Pieces</p>	<p>#16</p>  <p>Allen Key 1 Piece</p>	



STEP: 1

STEP: 2



STEP: 3

STEP: 4

