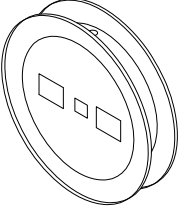
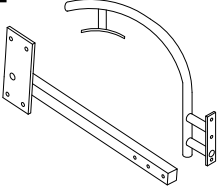
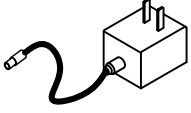



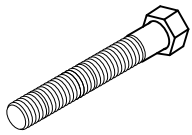
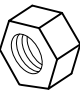

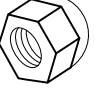
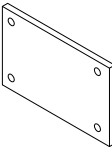

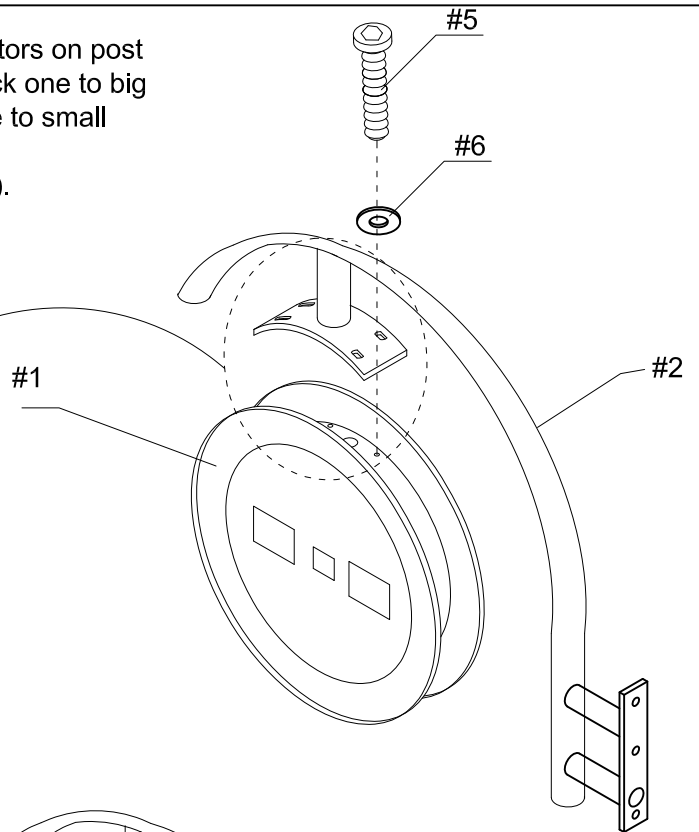
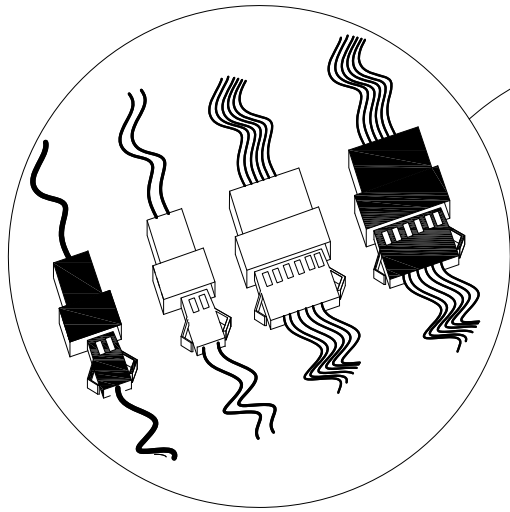


# PARTS LIST

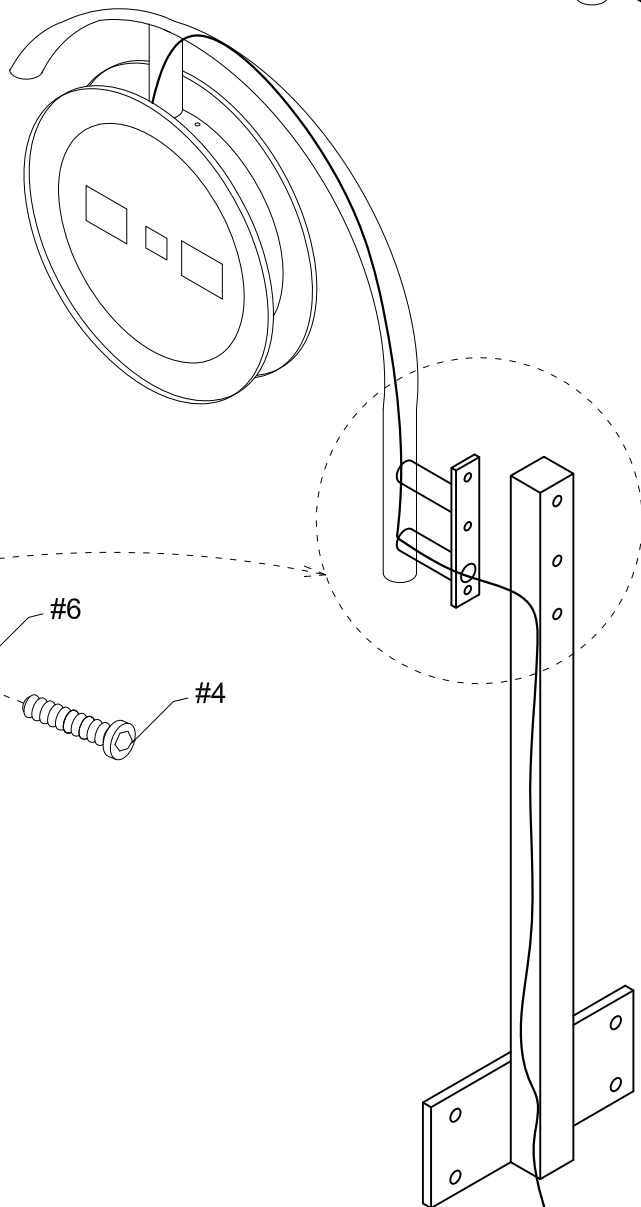
<p>#1</p>  <p>Score Unit 1 pc</p>	<p>#2</p>  <p>Post Set 1 set</p>	<p>#3</p>  <p>Adapter 1 pc</p>	<p>#4</p>  <p>Bolt 1/4"*2" 3 pcs</p>	<p>#5</p>  <p>Bolt 1/4"*1-3/4" 4 pcs</p>
<p>#6</p>  <p>Washer 1/4"*19mm 10 pcs</p>	<p>#7</p>  <p>Bolt 5/16"*3" 4 pcs</p>	<p>#8</p>  <p>Nut 5/16" 4 pcs</p>	<p>#9</p>  <p>Washer 5/16"*23mm 8 pcs</p>	<p>#10</p>  <p>Nut 1/4" 3 pcs</p>
<p>#11</p>  <p>Padding Board 1 pc</p>	<p>#12</p>  <p>Allen wrench 1 pc</p>			

# ASSEMBLY INSTRUCTION

1. Connect 4 connectors on score unit (#1) with 4 connectors on post set (#2) according to the connector size and color (big black one to big black one, big white one to big white one, small black one to small black one, small white one to small white one).
2. Fix score unit to post set with bolt (#5) and washer (#6).

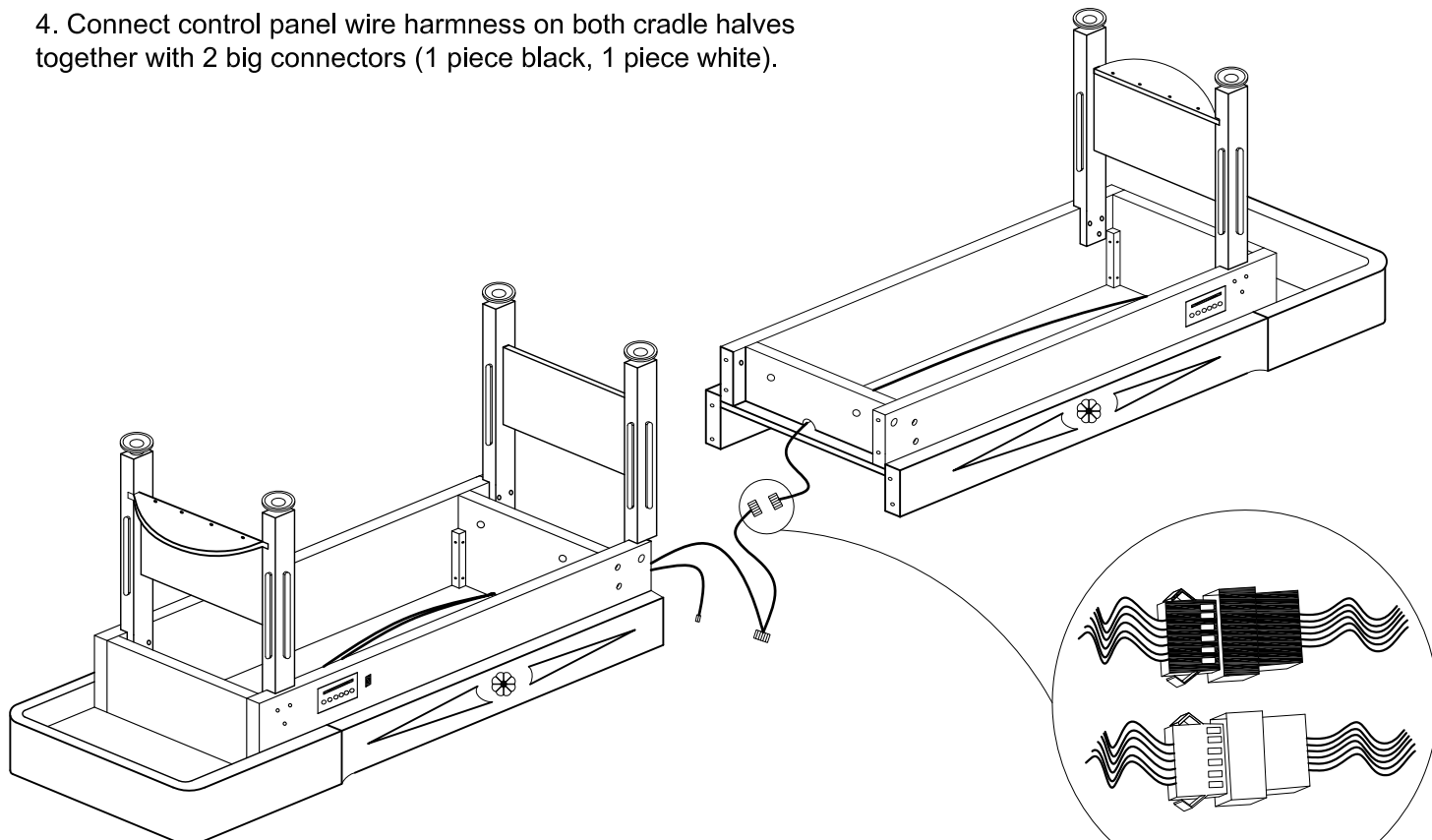


3. Fix 2 loose parts of post set together with bolt (#4), washer (#6) and nut (#10).



# ASSEMBLY INSTRUCTION

4. Connect control panel wire harness on both cradle halves together with 2 big connectors (1 piece black, 1 piece white).



5. Connect 2 big connectors on post set base with 2 big connectors from cradle (big black one to big black one, big white one to big white one).

6. Connect small white connector on post set base with small white connector from cradle.

7. Connect small black connector on post set base to adapter.

8. Fix post set on cradle at center with padding board (#11), bolt (#7), washer (#9) and nut (#8).

9. Connect adapter to electricity, switch on (a red button beside one of the control panel on cradle frame at one end of table), select games between 15 points, 21 points and free play, you can enjoy your playing now. Press button Red+ to plus scores to red side, press button Red- to minus scores to red side, Press button Blue+ to plus scores to blue side, press button Blue- to minus scores to blue side, press reset button reset the game.

