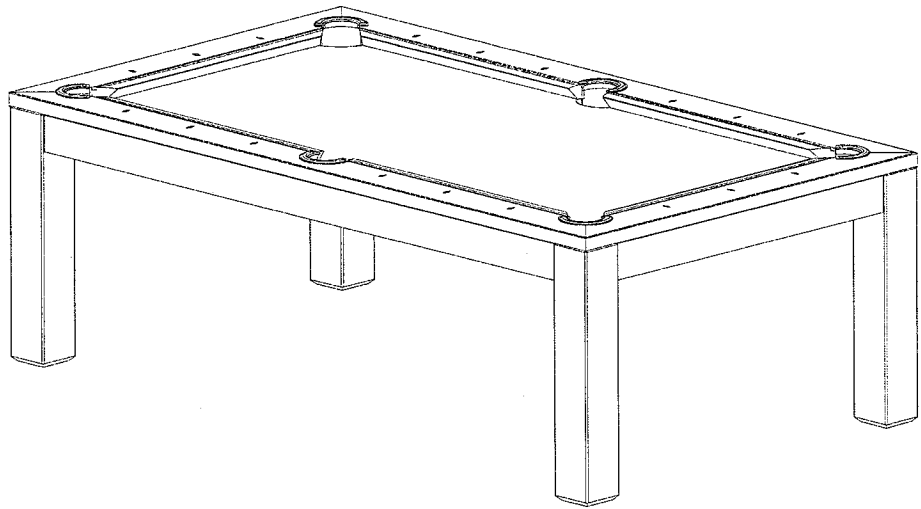


# ASSEMBLY INSTRUCTIONS



PLAYCRAFT



Genoa



PLAYCRAFT

Congratulations on selecting a Rio Grande slate pool table - part of the Fairfield Collection by Playcraft. Please contact us via email at [support@playcraft.com](mailto:support@playcraft.com) should you require any assistance.


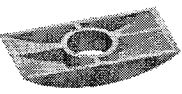

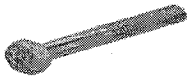




**Please carefully read all safety instructions and directions before proceeding**

- 1) Your table is designed for use indoors in a climate controlled environment only. Damage can occur if the table is exposed to water, dampness, high humidity, freezing temperatures, etc.
- 2) Professional assembly is strongly recommended. This assembly manual is intended to guide an experienced slate pool table installer with the assembly process of this specific cabinet. It does not guide on setting the slate or attaching the billiard cloth for which the process is the same regardless of the cabinet type.
- 2) The pool table cabinet and slate are extremely heavy. Two or more people are required for assembly.
- 3) The table must be assembled in the final location where the table will be played. Attempting to move the table once assembled could result in damage to the table or serious injury.
- 5) Only use the table for its intended purpose.
- 6) Damaged or worn parts may be dangerous for users and the integrity of the table. Replace worn or damaged components immediately and do not use the table until any issues have been resolved. For best results, use only spare parts supplied by Playcraft.
- 7) Unauthorized repairs or altering the table's design or functions may be dangerous and will void the warranty.
- 8) Check all screws, bolts, etc. on a regular basis to ensure that they are in good working condition and have not loosened over time.
- 9) Over time, pool tables may require releveling. This is considered normal maintenance as required with owning a slate pool table




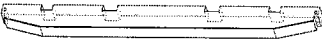


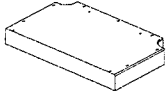
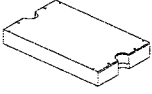

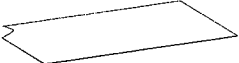
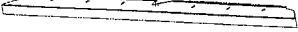

# HARDWARE LIST

NO.	IMAGE	NAME	SPECIFICATION	QTY	UNIT
A		DOUBLE HEAD SCREW	ø10*100	8	PCS
		USED TO FIX THE LEGS AND FRAME			
B		FLAT WASHER	M10*30*2	8	PCS
		USED TO FIX THE LEGS AND FRAME			
C		BOLT NUT	M10	8	PCS
		USED TO FIX THE LEGS AND FRAME			
D		HEX BOLT	ø12*160	4	PCS
		USED TO FIX THE LONG BEAM AND FRAME			
E		FLAT WASHER	M12*30*2	8	PCS
		USED TO FIX THE LONG BEAM AND FRAME			
F		BOLT NUT	M12	4	PCS
		USED TO FIX THE LONG BEAM AND FRAME			
G		FLAT HEAD SCREW	4.2*50	32	PCS
		USED TO FIX THE CROSS BEAM			
H		HEX BOLT	ø10*50	16	PCS
		USED TO ADJUST AND LEVEL THE SLATE			
I		FLAT HEAD SCREW	6*60	12	PCS
		USED TO FIX THE SLATE AND FRAME			
J		BOLT NUT	M8	4	PCS
		USED TO FIX THE LONG RAIL AND SHORT RAIL			
K		DOUBLE HEAD SCREW	ø8*80	4	PCS
		USED TO FIX THE LONG RAIL AND SHORT RAIL			

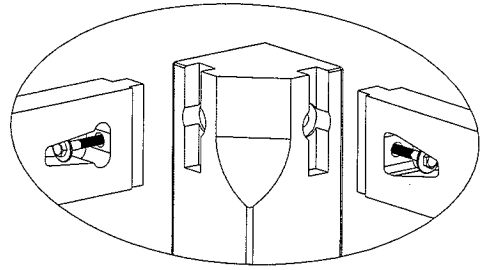
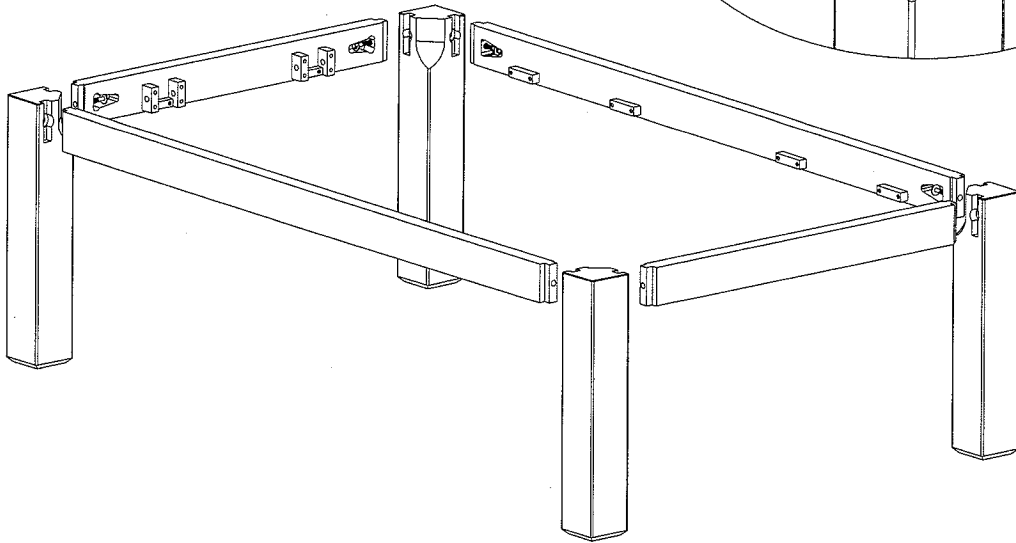
# HARDWARE LIST

NO.	IMAGE	NAME	SPECIFICATION	QTY	UNIT
L		FLAT WASHER	M8	4	PCS
		USED TO FIX THE LONG RAIL AND SHORT RAIL			
M		SEMICIRCLE WASHER	M8	4	PCS
		USED TO FIX THE LONG RAIL AND SHORT RAIL			
N		BARREL NUT	M8*30	4	PCS
		USED TO FIX THE LONG RAIL AND SHORT RAIL			
O		HEX BOLT	ø10*55	18	PCS
		USED TO FIX THE TOP RAILS AND SLATE			
P		DOME WASHER	M10*30*5	18	PCS
		USED TO FIX THE TOP RAILS AND SLATE			
Q		SIDE POCKET		4	PCS
R		MIDDLE POCKET		2	PCS
S		FLAT HEAD SCREW	4.2*16	12	PCS
		USED TO FIX THE LEATHER POCKET			

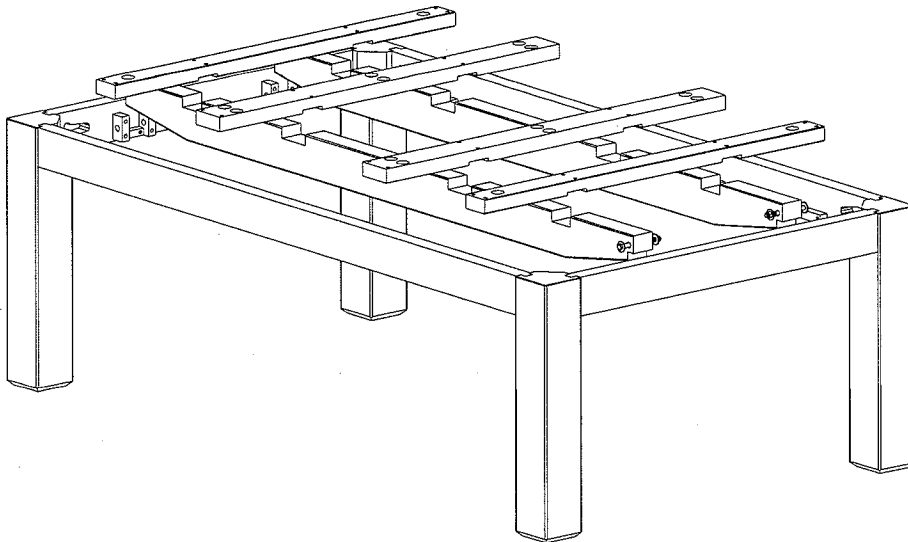
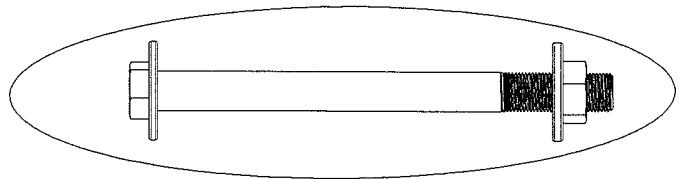
# PART LIST

CODE	DESCRIPTION	NAME	SPECIFICATION	QTY	UNIT
H1		LEG	750*130*130	4	PCS
		ASSEMBLY POSITION	FRAME		
H2		LONG APRON	2111*110*75	2	PCS
		ASSEMBLY POSITION	FRAME		
H3		SHORT APRON	1123*110*75	2	PCS
		ASSEMBLY POSITION	FRAME		
H4		LONG BEAM	2221*120*68	2	PCS
		ASSEMBLY POSITION	CROSS BEAM		
H5		SHORT BEAM 1	1233*100*40	2	PCS
		ASSEMBLY POSITION	CROSS BEAM		
H6		SHORT BEAM 2	1233*80*40	2	PCS
		ASSEMBLY POSITION	CROSS BEAM		
H7		SIDE SLTE	720*1168*40	1	
		ASSEMBLY POSITION	TOP RAILS		
H8		MIDDLE SLATE	720*1168*40	1	PCS
		ASSEMBLY POSITION	TOP RAILS		
H9		SIDE SLTE	720*1168*40	1	
		ASSEMBLY POSITION	TOP RAILS		
H10		CLOTH		1	
		ASSEMBLY POSITION	TOP RAILS		
H11		LONG RAIL	2331*178*43	2	PCS
		ASSEMBLY POSITION	TOP RAILS		
H12		SHORT RAIL	1343*178*43	2	PCS
		ASSEMBLY POSITION	TOP RAILS		

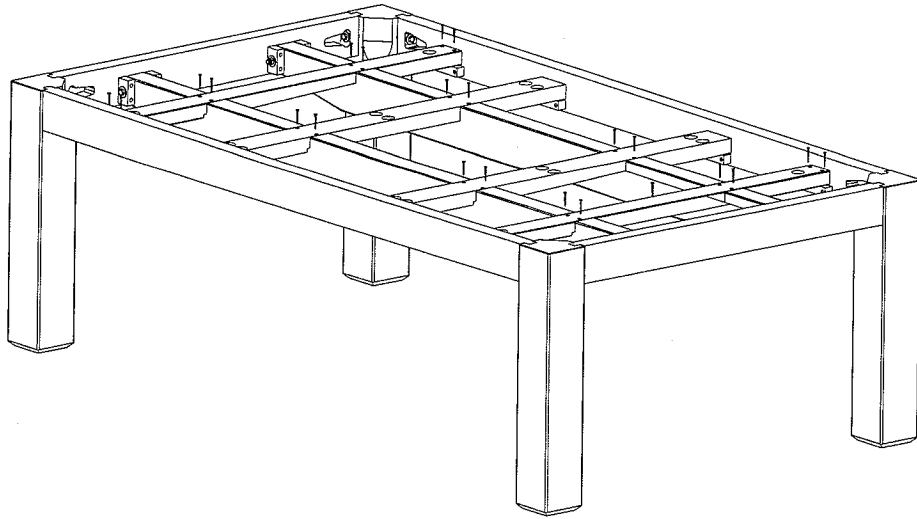
# Steps 1



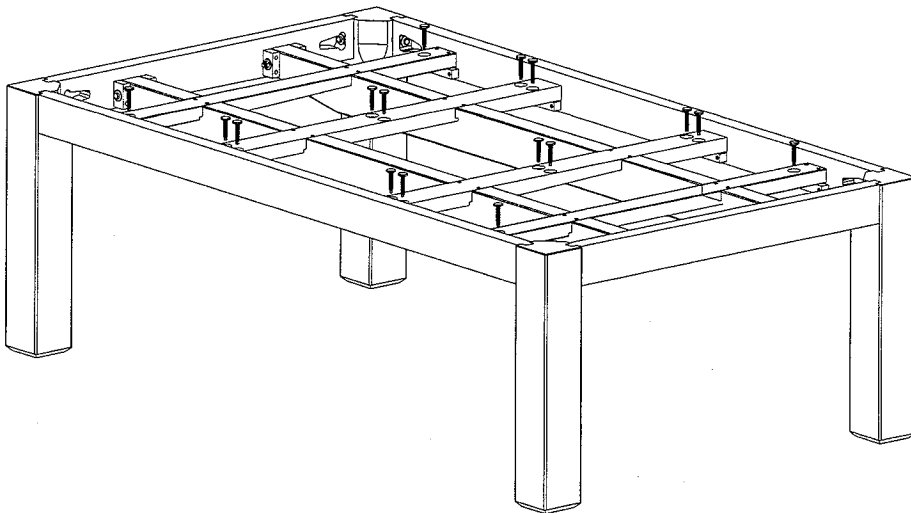
# Steps 2



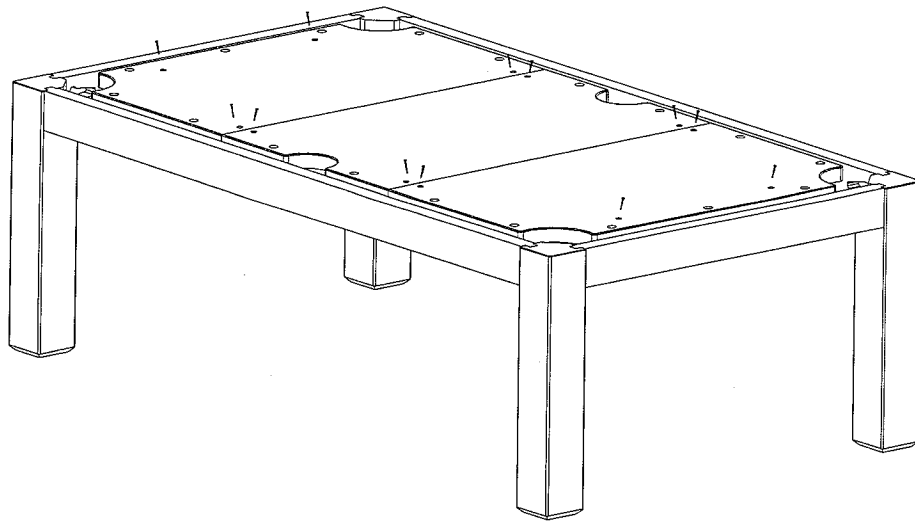
Steps 3



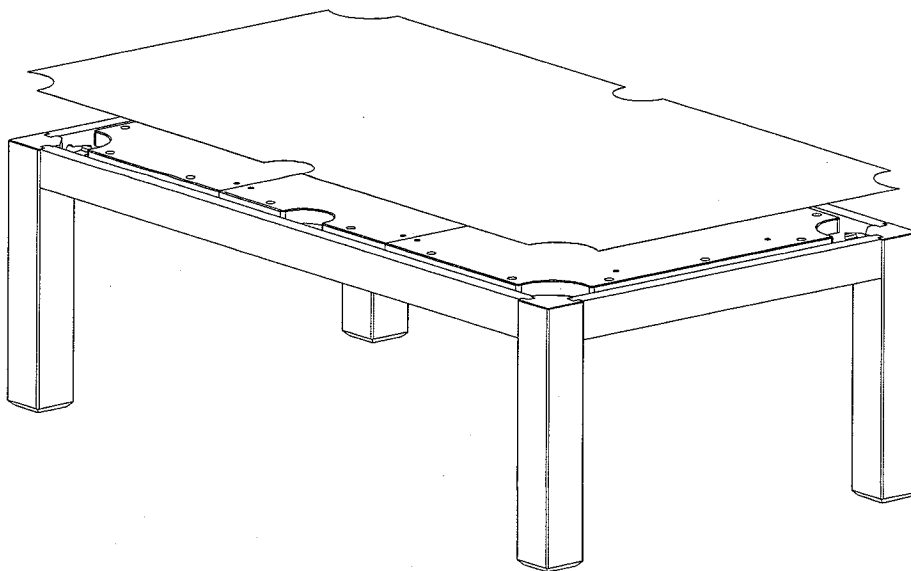
Steps 4



Steps 5

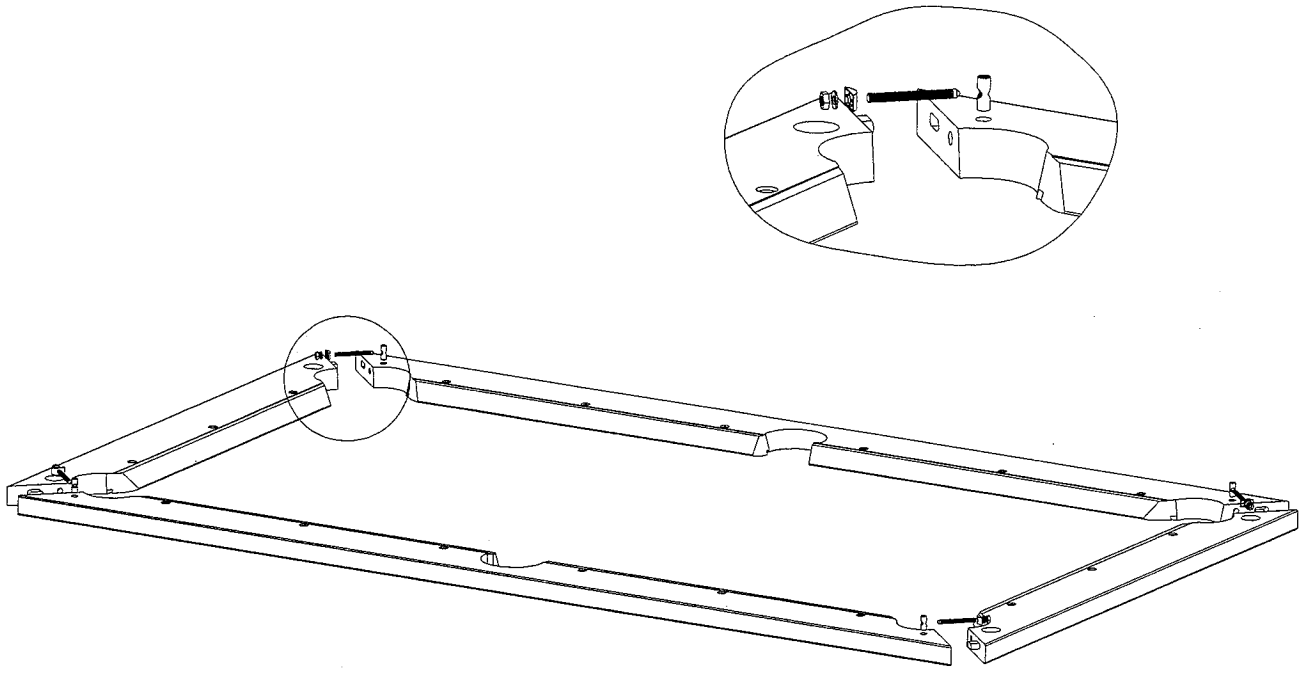


Steps 6

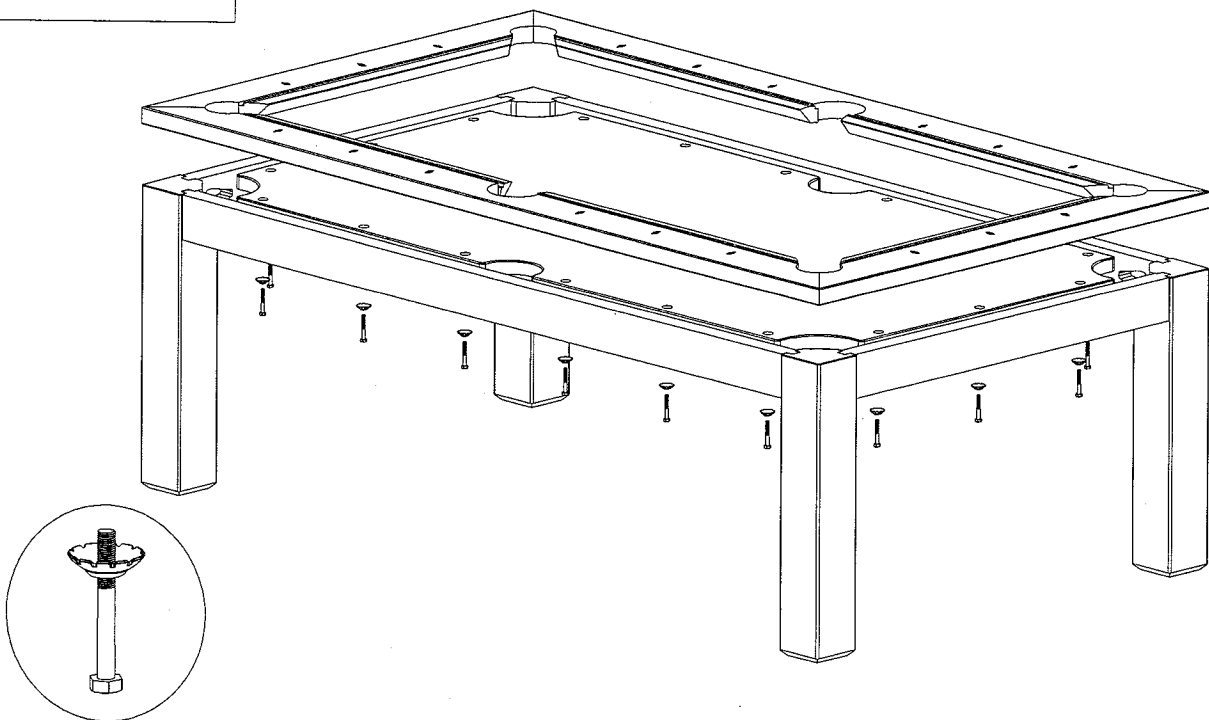




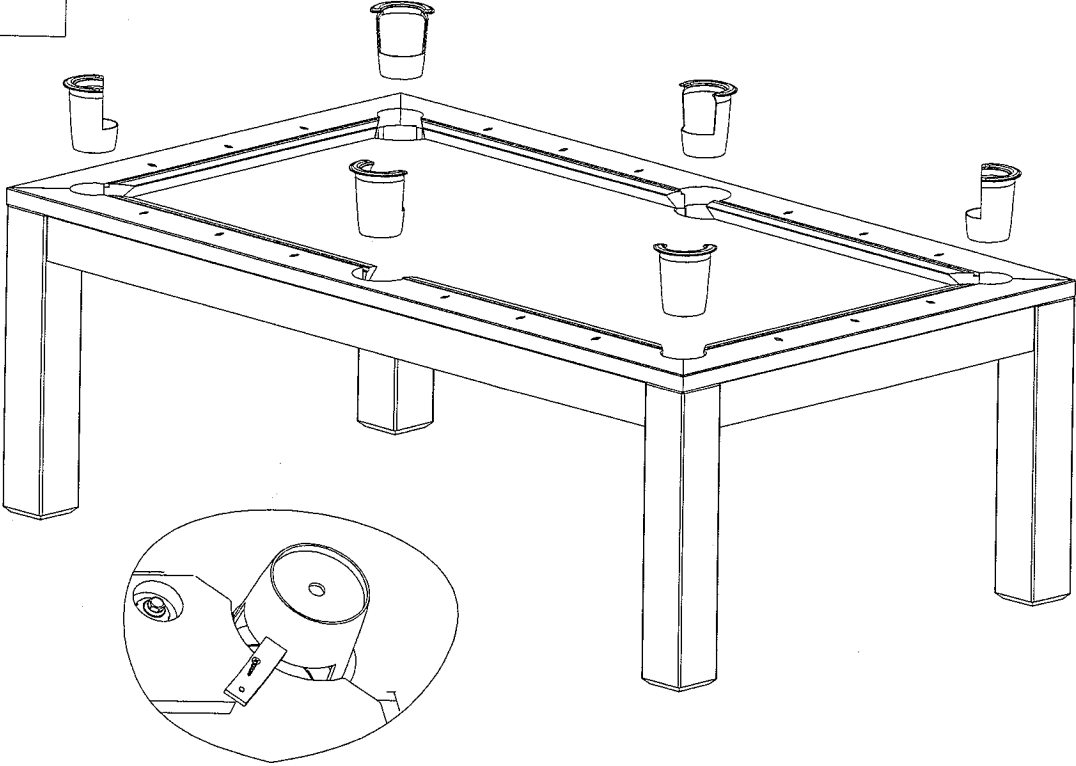
Steps 7



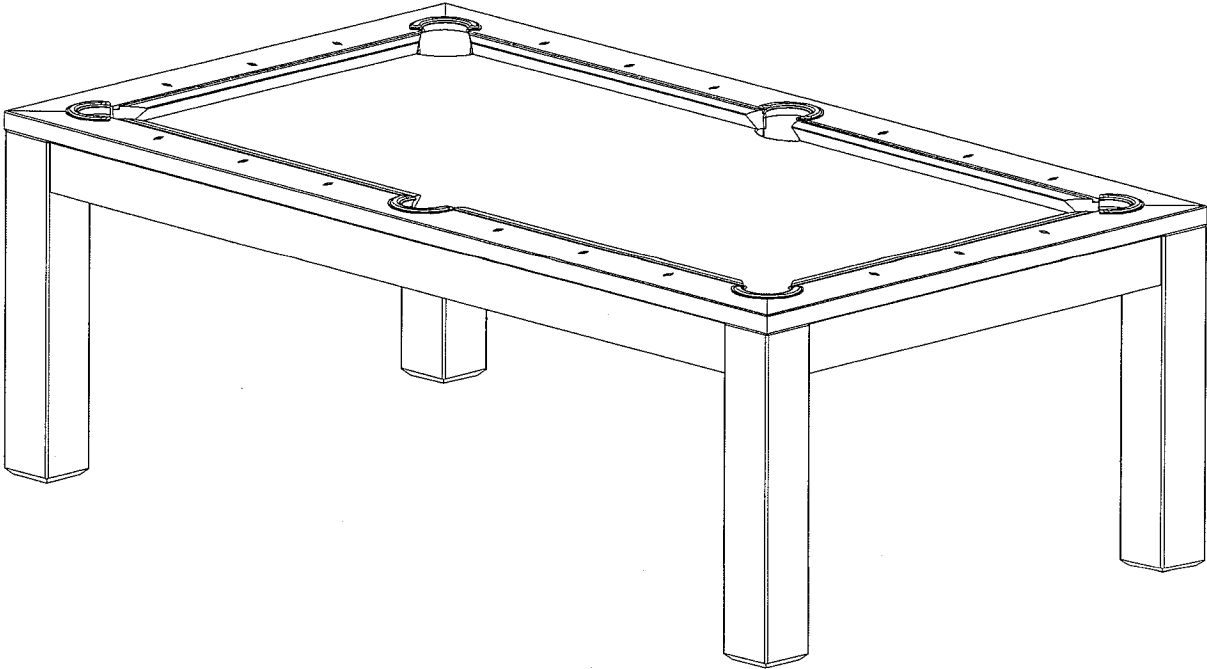
Steps 8



Steps 9



Complete





PLAYCRAFT

## **Customer Service**

For questions on assembly or for missing or damaged parts, please contact us via email at [support@playcraft.com](mailto:support@playcraft.com). Please visit our website at [www.playcraft.com](http://www.playcraft.com) to see more industry leading Playcraft and Playcraft Sport game tables.

**Thank you for choosing Playcraft!**

Global Merchants, Inc.  
12 Lunar Drive  
Woodbridge, CT 06525