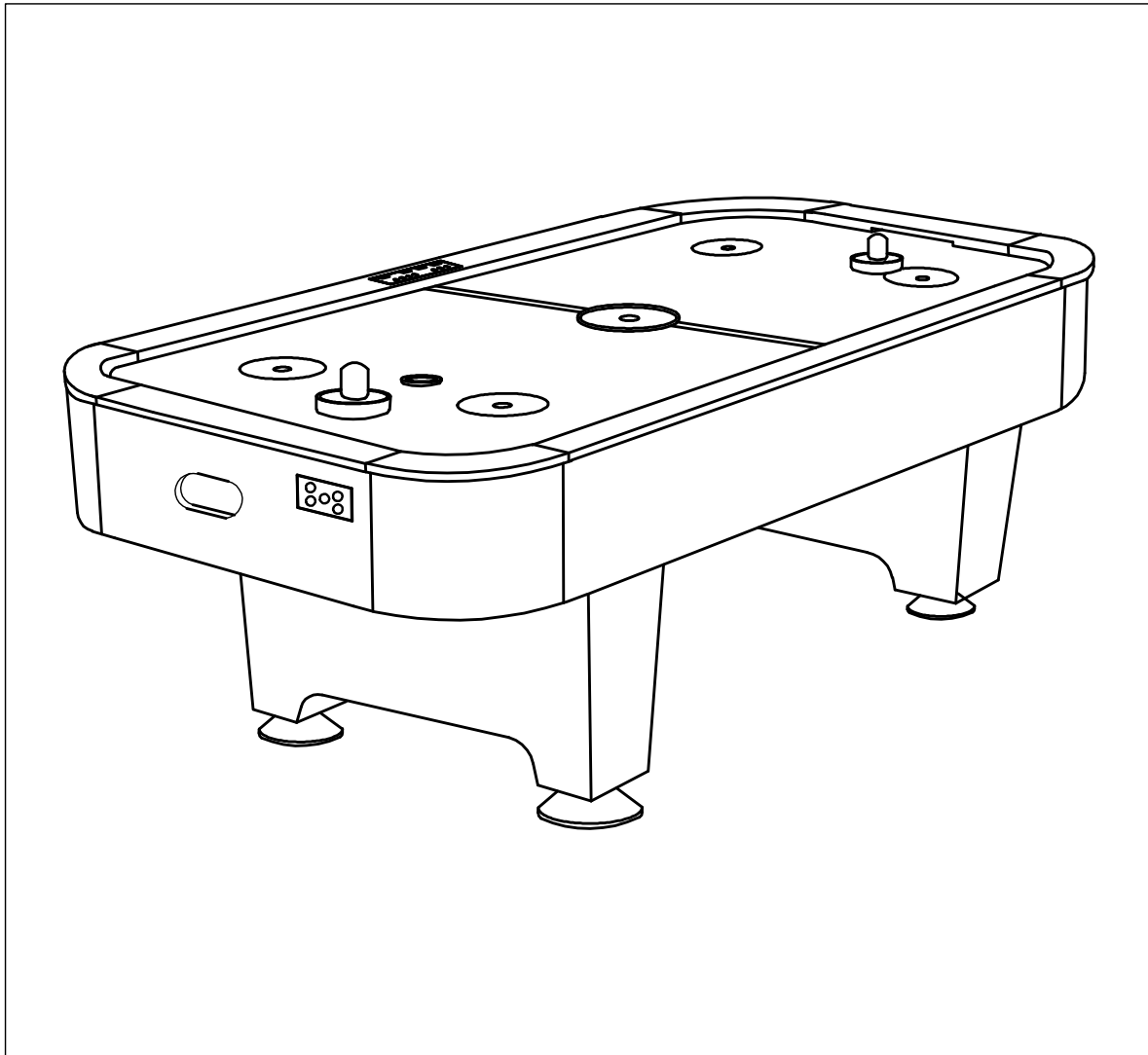
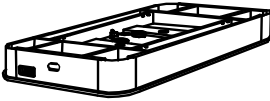
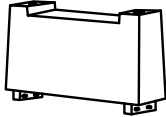



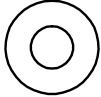


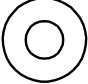
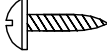


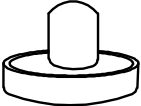





# AIR HOCKEY

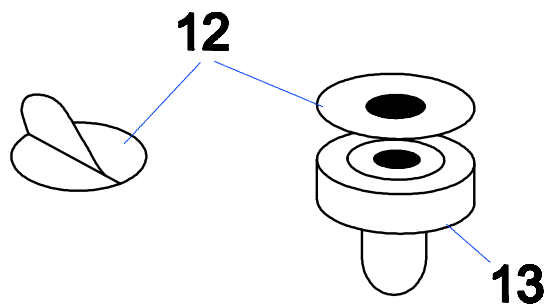
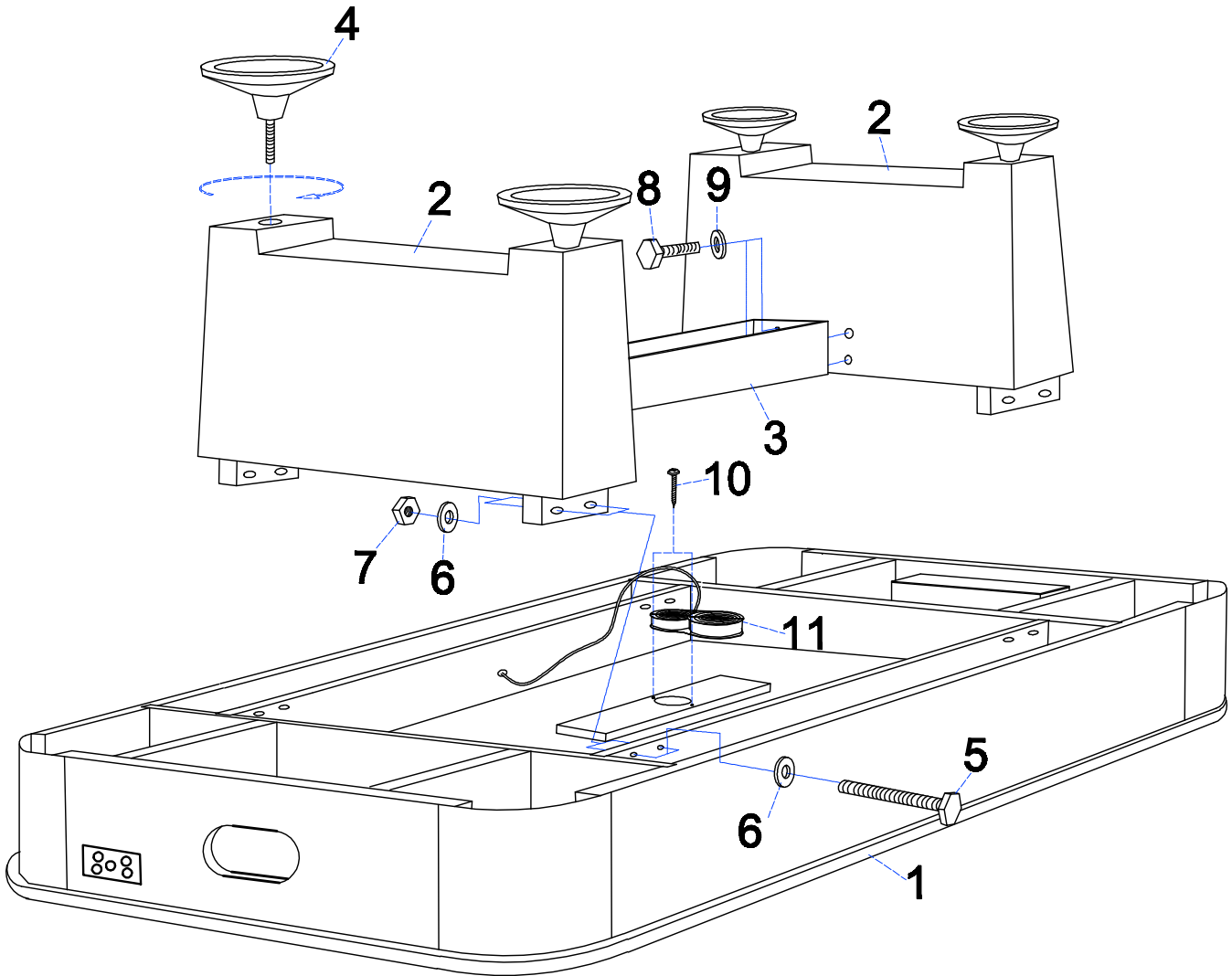


**ITEM NO. : EASTON 7  
EASTON 8**

# Parts List

<p>#1</p>  <p><b>Main Frame</b> 1 Piece</p>	<p>#2</p>  <p><b>Leg</b> 2 Pieces</p>	<p>#3</p>  <p><b>Cross support bar</b> 1 Piece</p>	<p>#4</p>  <p><b>Leg leveler</b> 4 Pieces</p>
<p>#5</p>  <p><b>3/8\"X2-1/2\" Bolt</b> 8 Pieces</p>	<p>#6</p>  <p><b>3/8\"X25mm Washer</b> 16 Pieces</p>	<p>#7</p>  <p><b>3/8\" Nut</b> 8 Pieces</p>	<p>#8</p>  <p><b>5/16\"X1-1/8\" Bolt</b> 4 Pieces</p>
<p>#9</p>  <p><b>5/16\"X23mm Washer</b> 4 Pieces</p>	<p>#10</p>  <p><b>T4X1\" Screw</b> 14 Pieces</p>	<p>#11</p>  <p><b>Electric Fan</b> 1 Piece</p>	<p>#12</p>  <p><b>Felt</b> 2 Pieces</p>
<p>#13</p>  <p><b>Pusher</b> 2 Pieces</p>	<p>#14</p>  <p><b>3\" Puck</b> 2 Pieces</p>	<p>#15</p>  <p><b>3.2\" Puck</b> 2 Pieces</p>	<p>#16</p>  <p><b>Wrench</b> 1 Piece</p>

# Assembly Instructions



~END~