

ASSEMBLY INSTRUCTIONS



Double Play

Model: MGDPO7EB



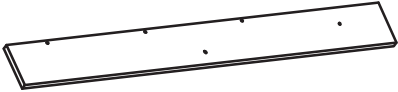
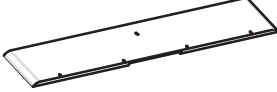

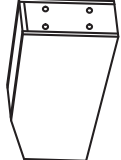

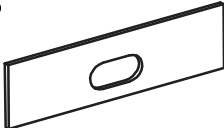


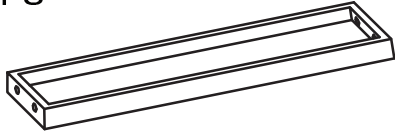
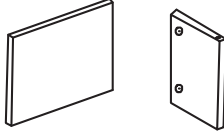



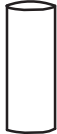
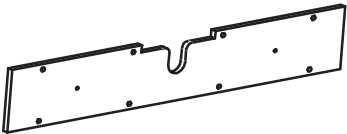
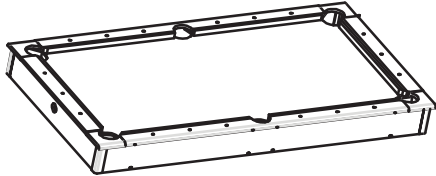
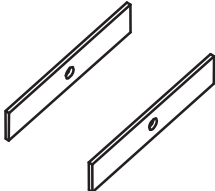
Congratulations on selecting a Playcraft Double Play combination pool and air hockey table. Please contact us toll free at (888) 367-3095 or via email at support@playcraft.com should you require any assistance.

Please carefully read all safety instructions and directions before proceeding

- 1) Your table is designed for use indoors in a climate controlled environment only. Damage can occur if the table is exposed to water, dampness, high humidity, freezing temperatures, etc.
- 2) The Double Play table is heavy. Two or more people are required for assembly or moving.
- 3) The table should be assembled in the location where it will be played. Moving the table after it's assembled can damage the table.
- 3) Only use the table for its intended purpose.
- 4) Damaged or worn parts may be dangerous for users and the integrity of the table. Replace worn or damaged components immediately and do not use the table until any issues have been resolved. For best results, use only spare parts supplied by Playcraft.
- 5) Unauthorized repairs or altering the table's design or functions may be dangerous and will void the warranty.
- 6) Check all screws, bolts, etc. on a regular basis to ensure that they are in good working condition and have not loosened over time.



PARTS LIST

<p>P1</p>  <p>Puck Box Panel A 2 PCS</p>	<p>P2</p>  <p>Puck Box Panel B 2 PCS</p>	<p>P3A</p>  <p>Right Leg 2 PCS</p>	<p>P3B</p>  <p>Left Leg 2 PCS</p>
<p>P4</p>  <p>Puck Box End Panel 4 PCS</p>	<p>P5</p>  <p>Puck Box Face Panel 2 PCS</p>	<p>P6</p>  <p>Puck Box Mid Supports 4 PCS</p>	<p>P7</p>  <p>Leg End Cover 4 PCS</p>
<p>P8</p>  <p>Billiard Ball Storage Tray 2 PCS</p>	<p>P9</p>  <p>Rotation Stop Lock 4 PCS</p>	<p>P10</p>  <p>Leg Cross Support A 2 PCS</p>	
<p>P11</p>  <p>Leg Cross Support B 2 PCS</p>	<p>P12</p>  <p>Air Hockey Playfield 1 PC</p>	<p>P13</p>  <p>Rotation Stop Lock Hinge Pin 8 PCS</p>	
<p>P14</p>  <p>Rotation Support Panel 2 PCS</p>	<p>P15</p>  <p>Table Cabinet 1 PC</p>	<p>P16</p>  <p>Table Cabinet Cross Support 2 PCS</p>	



PARTS LIST cont.

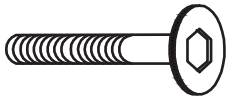
P17



LEG LEVELERS
4pcs

HARDWARE

1



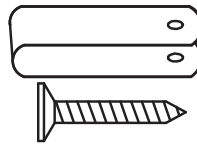
1/4" x 1-3/4" BOLTS
8 PCS

2



1/4" WASHERS
8 PCS

3



1 SET

4



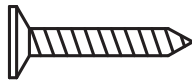
#8 x 5/8" SCREWS
8 PCS

5



#8 x 1-1/4" SCREWS
50 PCS

6



#7 x 1/2" SCREWS
8 PCS

7



#8 x 2-1/2" SCREWS
4 PCS

8

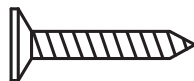
INTENTIONALLY
BLANK

9



8 x 1" SCREWS
40 PCS

10

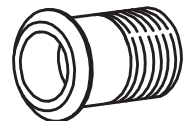


8 x 2" SCREWS
20 PCS

11

INTENTIONALLY
BLANK

12



AXLE SLEEVE
2 PCS

13



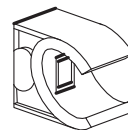
FAN MOTOR
1 PC

14



GLUE
1 PC

15



CUE STICK HOLDER
4 PCS

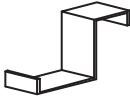


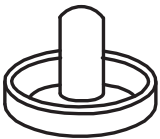

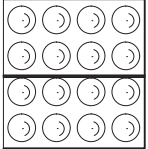

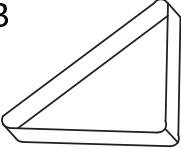
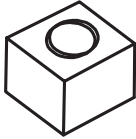

16



ALLEN WRENCH
1 PC



PARTS LIST cont.

<p>17</p>  <p>BALL RACK HOOK 1 PC</p>	<p>18</p>  <p>1/4" BARREL NUT 8 PCS</p>		
<h2>PLAYING EQUIPMENT</h2>			
<p>19</p>  <p>2.5" AIR HOCKEY PUCK 2 PCS</p>	<p>20</p>  <p>STRIKERS 2 PCS</p>	<p>21</p>  <p>3" AIR HOCKEY PUCK 2 PCS</p>	<p>A1</p>  <p>BILLIARD BALL SET 1 PC</p>
<p>A2</p>  <p>CUE STICK 2 PCS</p>	<p>A3</p>  <p>15 BALL TRIANGLE 1 PC</p>	<p>A4</p>  <p>CUE TIP CHALK 2 PCS</p>	<p>A5</p>  <p>CLOTH BRUSH 1 PC</p>



ASSEMBLY INSTRUCTIONS



WARNING: TWO ADULTS REQUIRED TO ASSEMBLE TABLE

Fig 1

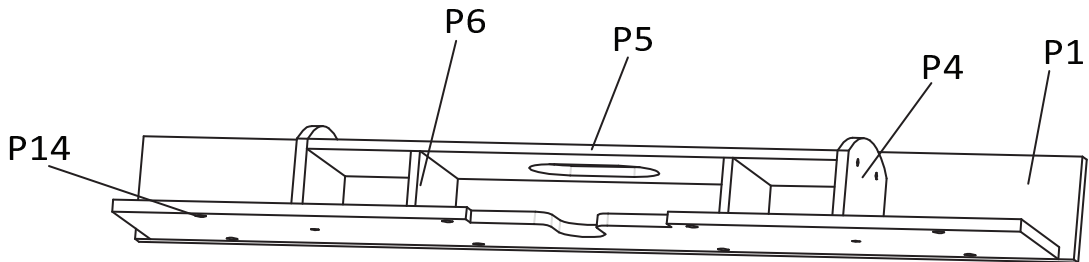


Fig 2

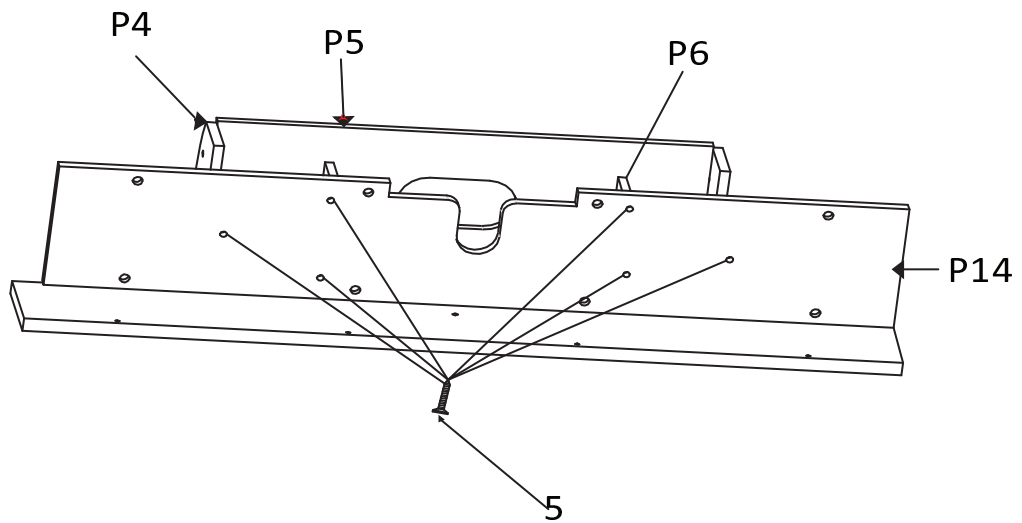
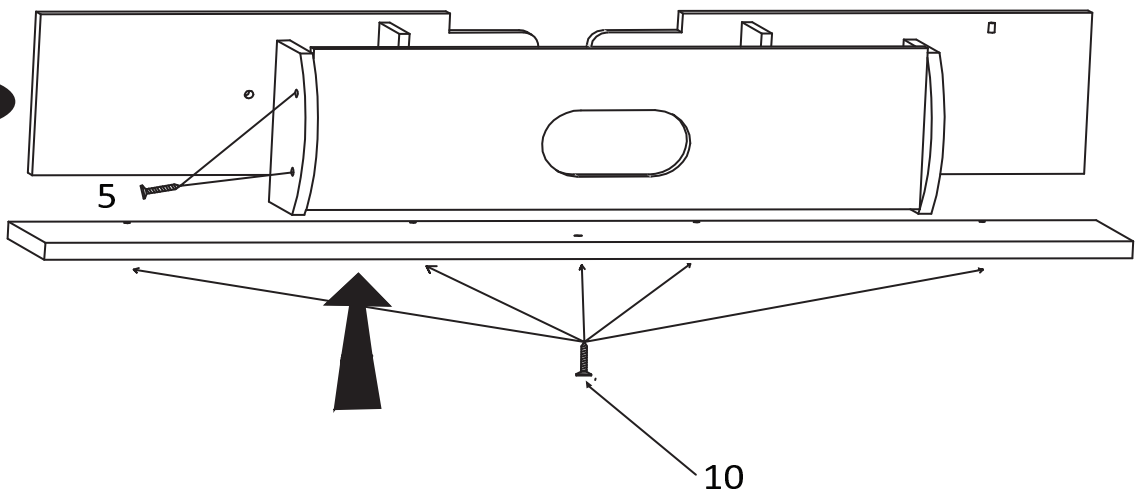


Fig 3





ASSEMBLY INSTRUCTIONS



WARNING: TWO ADULTS REQUIRED TO ASSEMBLE TABLE

Fig 4

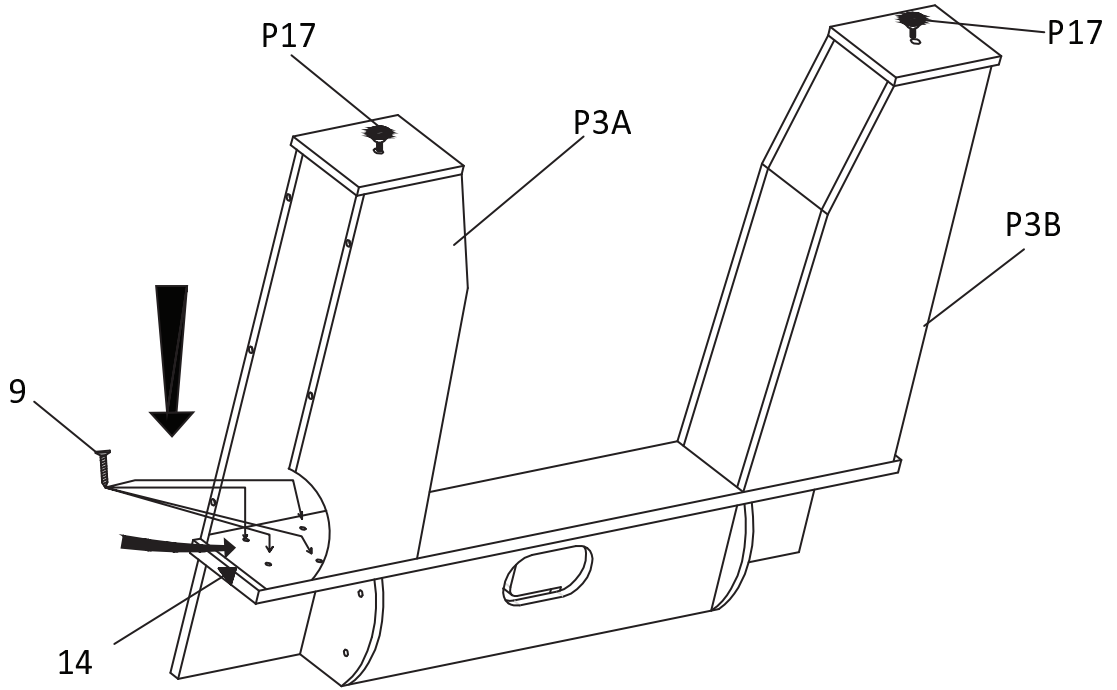
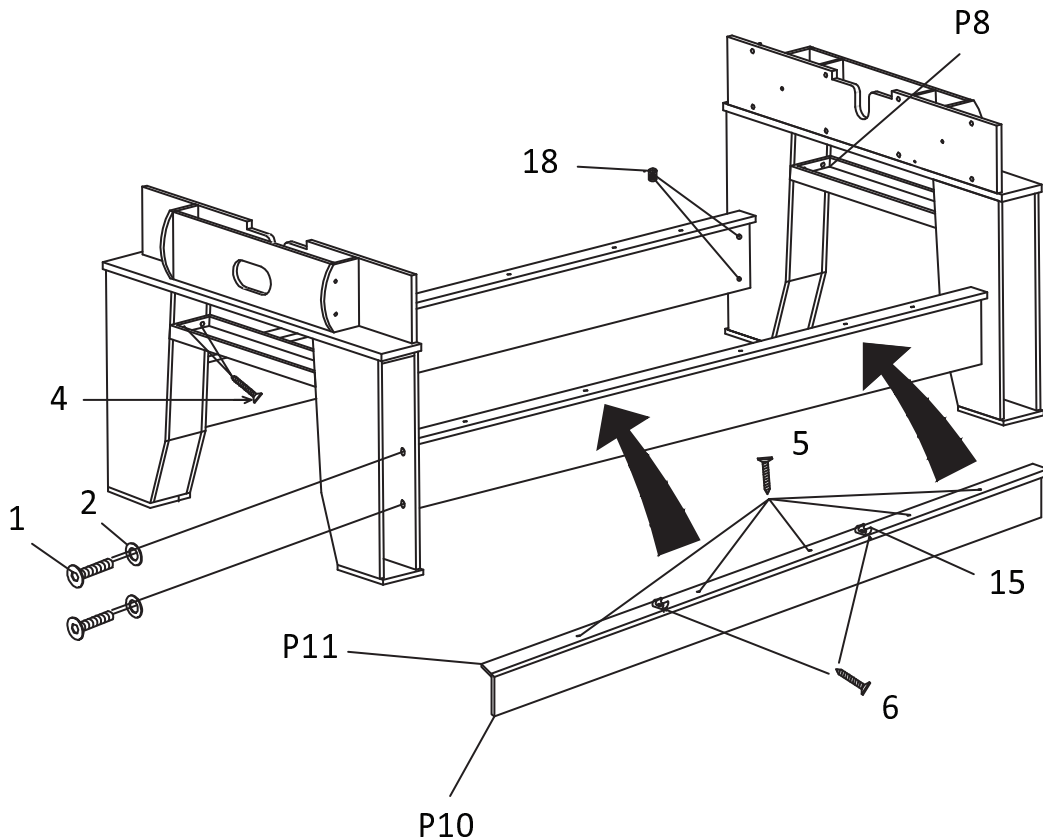


Fig 5





ASSEMBLY INSTRUCTIONS



WARNING: TWO ADULTS REQUIRED TO ASSEMBLE TABLE

Fig 6

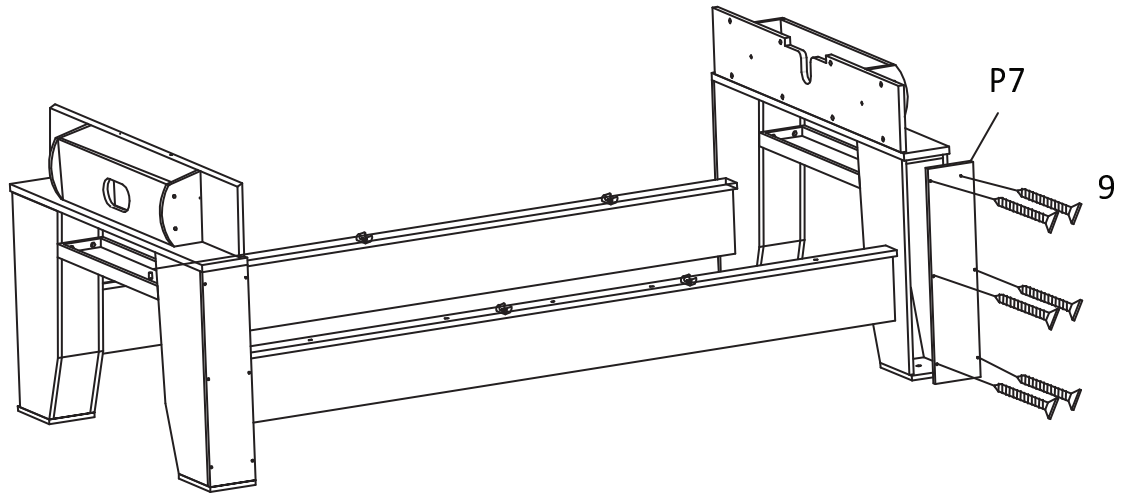


Fig 7

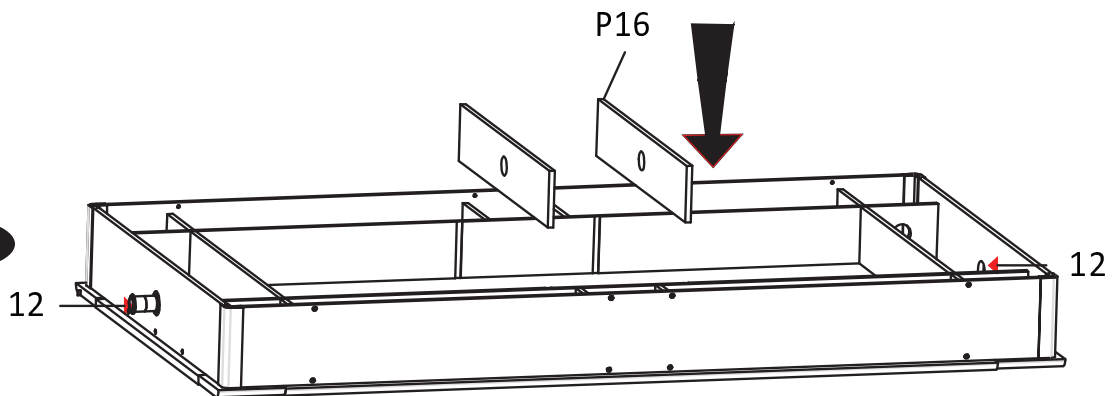
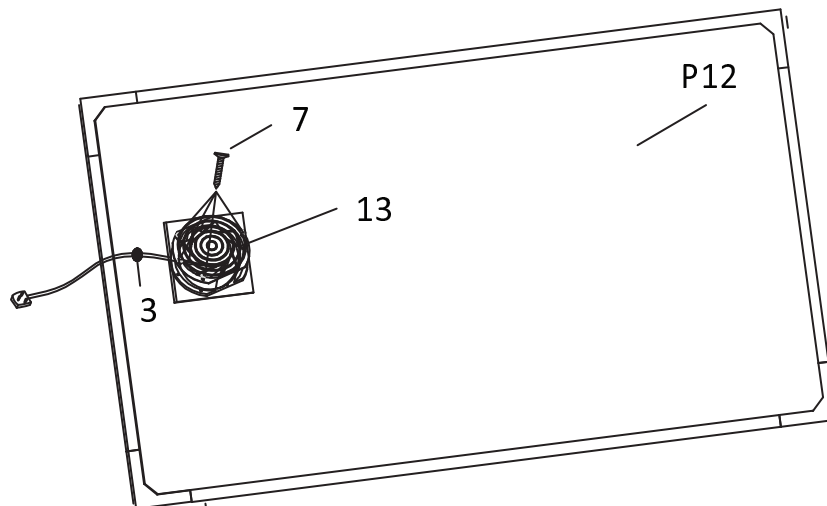


Fig 8



After installing the air fan flip over playfield and attach to table cabinet





ASSEMBLY INSTRUCTIONS



WARNING: TWO ADULTS REQUIRED TO ASSEMBLE TABLE

Thread air fan power cord through the axle opening

Fig 9

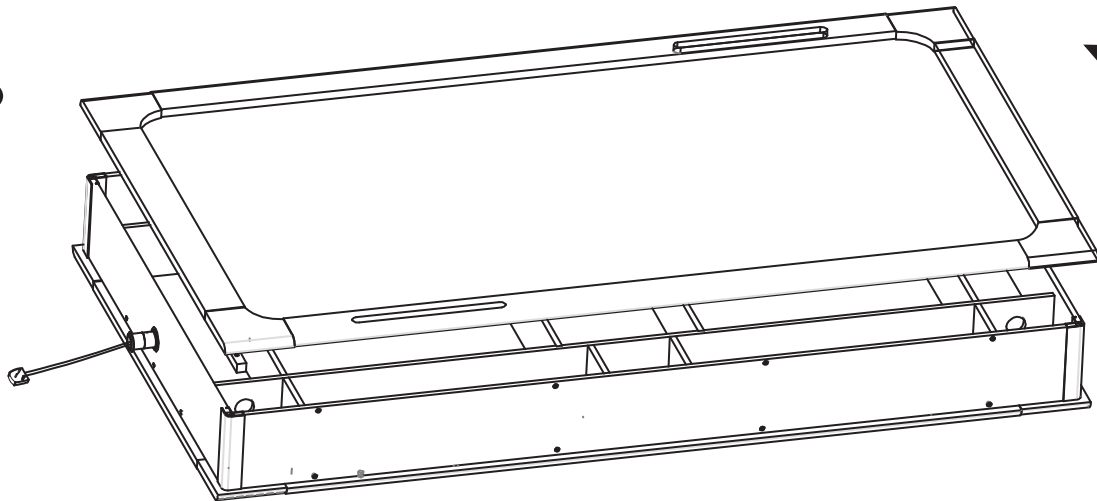
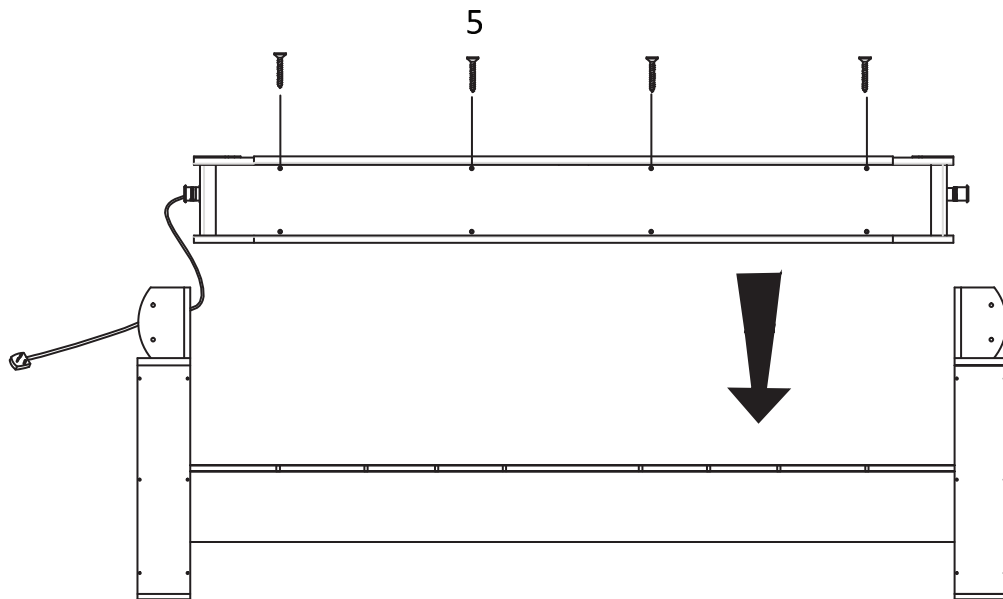


Fig 10





ASSEMBLY INSTRUCTIONS



WARNING: TWO ADULTS REQUIRED TO ASSEMBLE TABLE

Fig 11

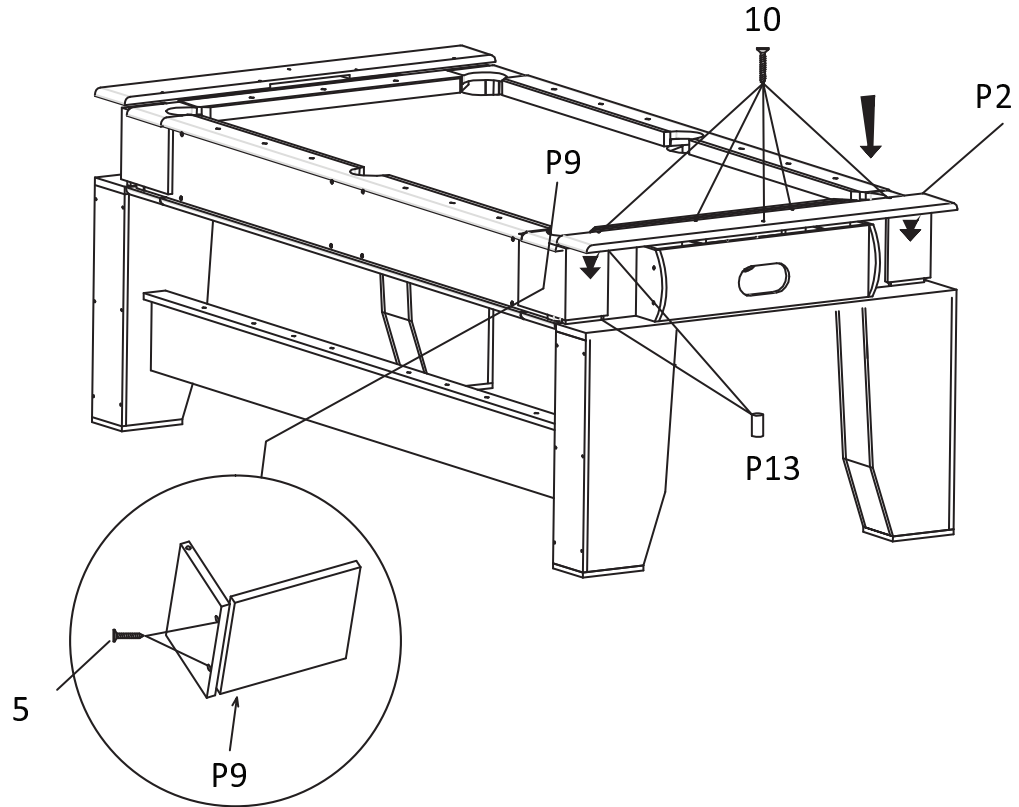
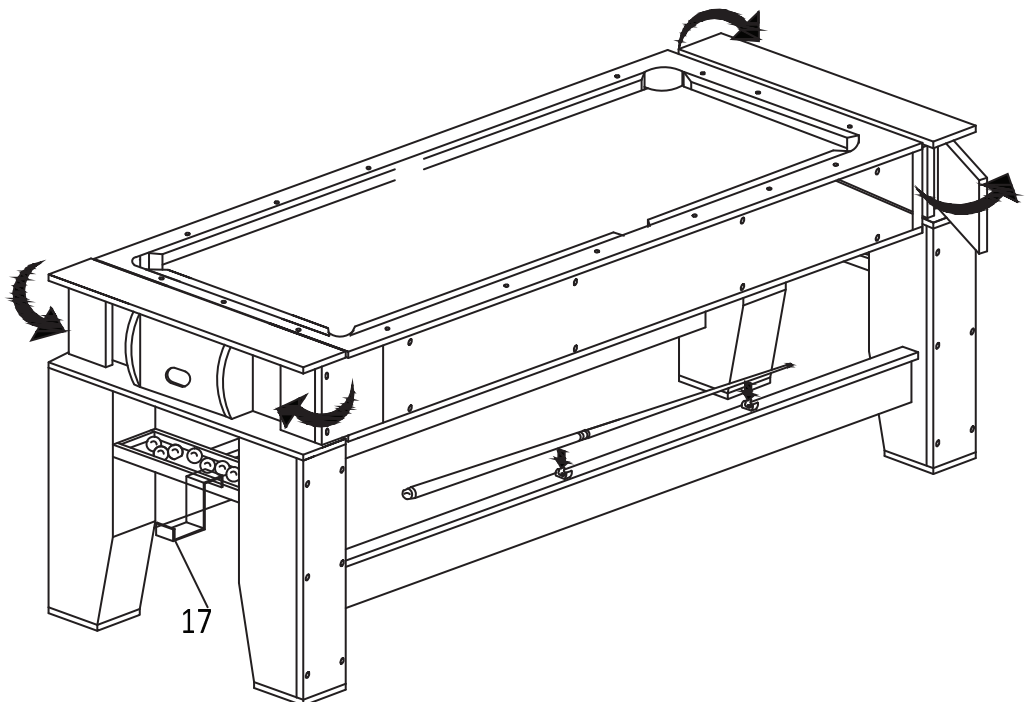


Fig 12





Customer Service

For questions on assembly or for missing or damaged parts, please contact us toll free at (888) 367-3095 or via email at support@playcraft.com. Please visit our website at www.playcraft.com to see more industry leading Playcraft and Playcraft Sport game tables.

Thank you for choosing Playcraft!

Global Merchants, Inc.
12 Lunar Drive
Woodbridge, CT 06525