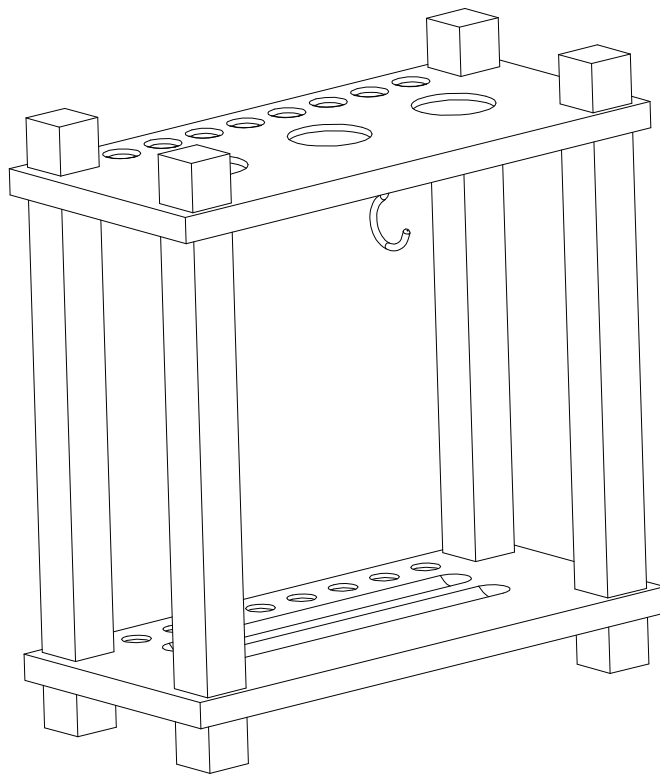
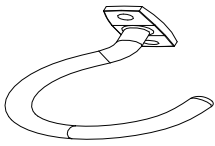
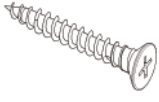

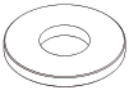



ASSEMBLY INSTRUCTIONS

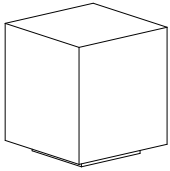
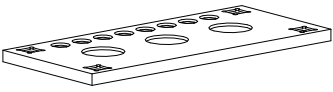

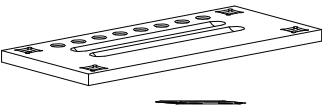
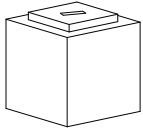


Cue Rack

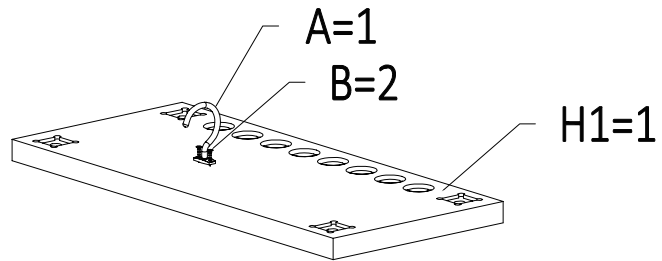
HARDWARE LIST

NO.	IMAGE	NAME	SPECIFICATION	QTY	UNIT
A		HOOK		1	PCS
		UPPER TOP			
B		SCREW	4.2*30	2	PCS
		HOOK AND UPPER TOP			
C		OUTER HEXAGON	ø10*710	4	PCS
		FOR PILLAR			
D		FLATWASHER	M10*30*2	4	PCS
		FOR PILLAR			
E		BOLT NUT	M10	4	PCS
		FOR PILLAR			

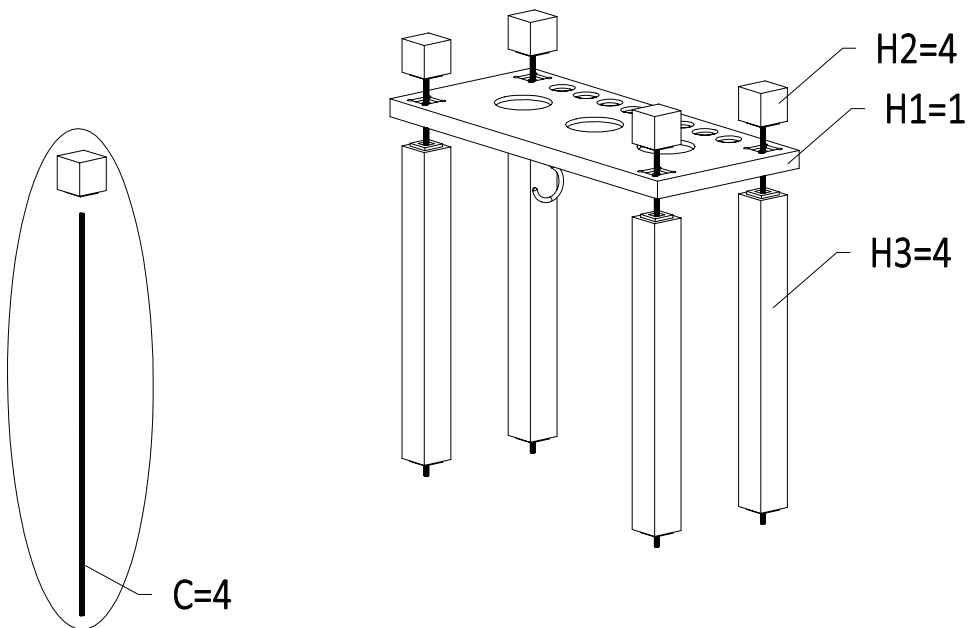
PART LIST

NO.	IMAGE	NAME	SPECIFICATIO N	QTY	UNIT
H1		UPPER DECORATION PILLAR	65*60*60	4	PCS
		ASSEMBLY POSITION			
H2		UPPER TOP	720*320*32	1	PCS
		ASSEMBLY POSITION			
H3		PILLAR	570*60*60	4	PCS
		ASSEMBLY POSITION			
H4		BOTTOM PANEL	720*320*32	2	PCS
		ASSEMBLY POSITION			
H5		BOTTOM DECORATION PILLAR	65*60*60	4	PCS
		ASSEMBLY POSITION			

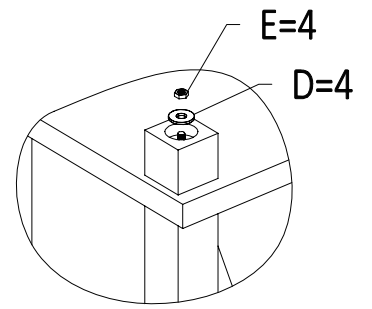
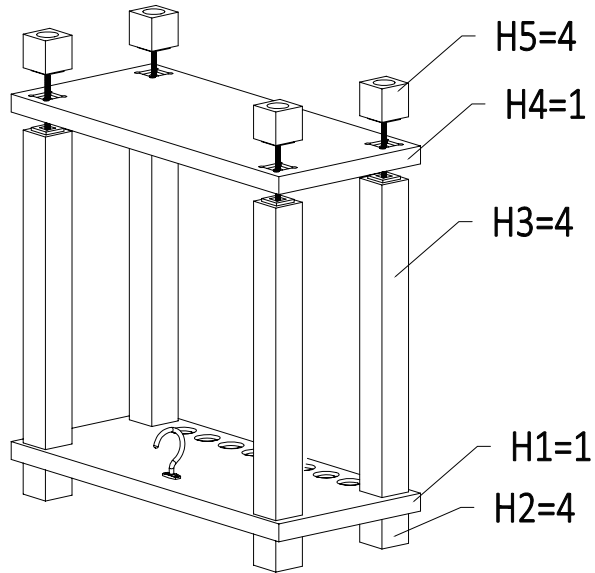
Steps 1



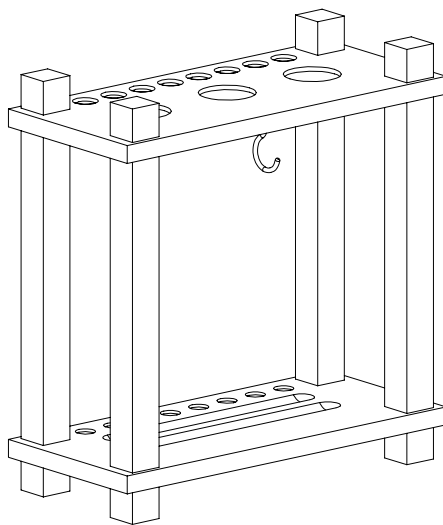
Steps 2



Steps 3



Complete





Customer Service

For questions on assembly or for missing or damaged parts, please contact us via email at support@playcraft.com. Please visit our website at www.playcraft.com to see more industry leading Playcraft and Playcraft Sport game tables.

Thank you for choosing Playcraft!

Global Merchants, Inc.
12 Lunar Drive
Woodbridge, CT 06525