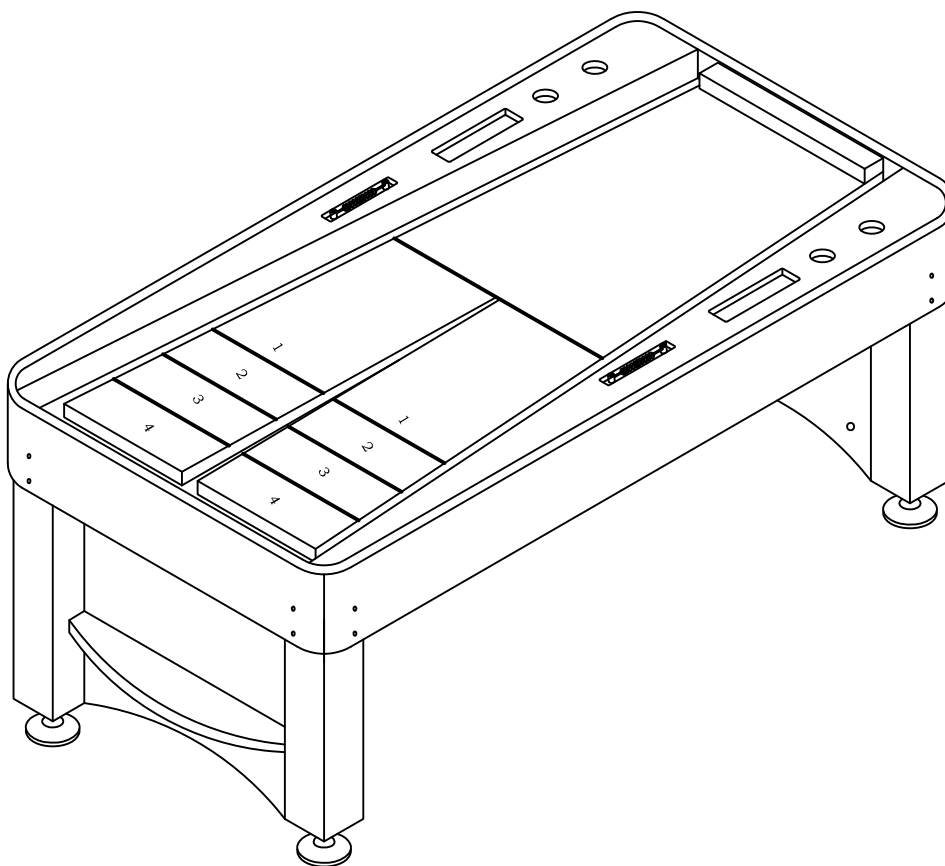
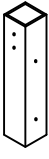
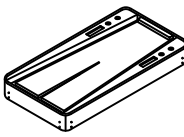




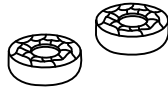
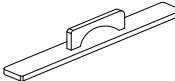






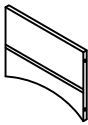
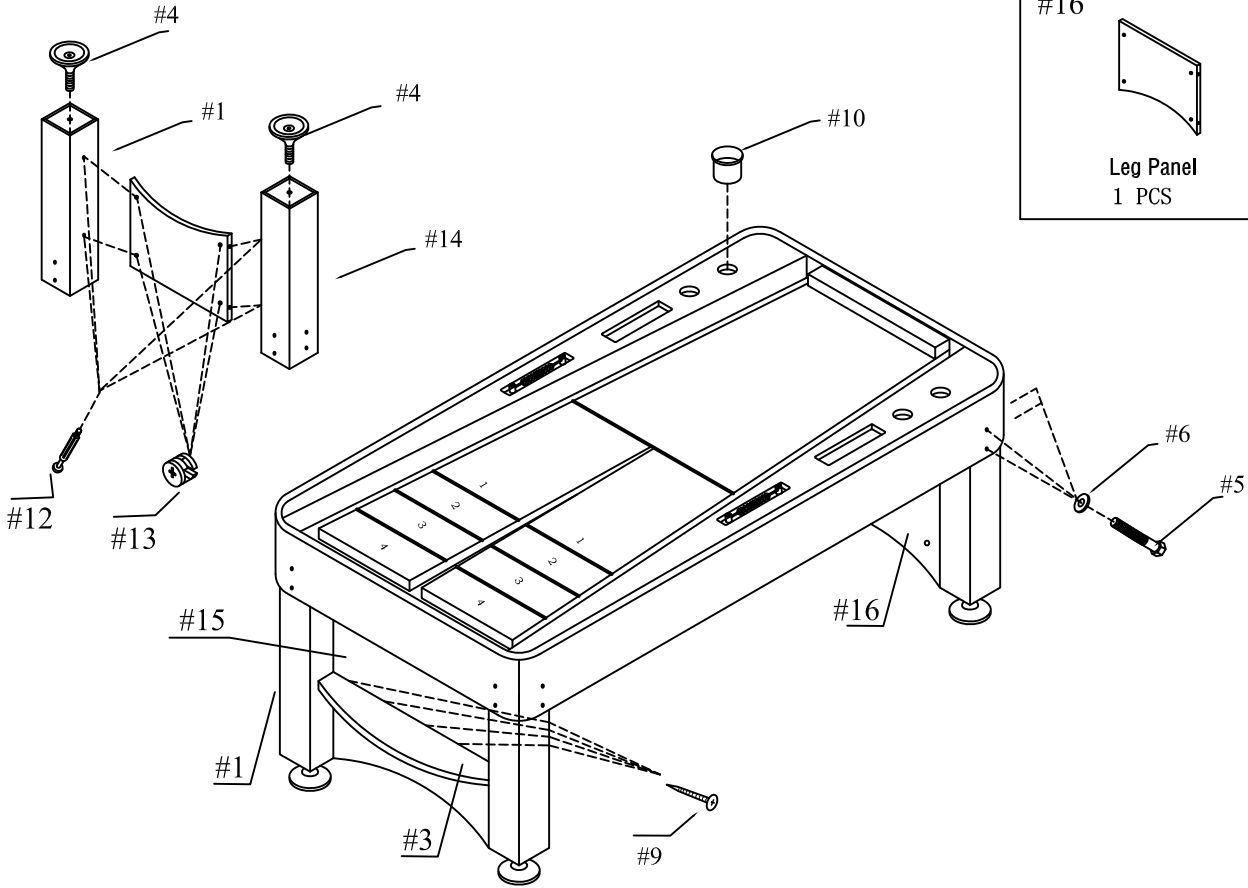
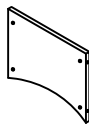


INSTRUCTION MANUAL FOR SHUFFLEBOARD



ASSEMBLY INSTRUCTION

<p>#1</p>  <p>Leg 4 pcs</p>	<p>#2</p>  <p>Cabinet 1 pcs</p>	<p>#3</p>  <p>Leg shelf 1 pcs</p>	<p>#4</p>  <p>Leg Leveler 4 pcs</p>	<p>#5</p>  <p>5/16"*3" Bolt 16 pcs</p>
<p>#6</p>  <p>5/16"*23mm Washer 16 pcs</p>	<p>#7</p>  <p>Red and blue puck each 4 pcs</p>	<p>#8</p>  <p>Wiper 1 pcs</p>	<p>#9</p>  <p>F4*1-1/2" 4 pcs</p>	<p>#10</p>  <p>4 pcs</p>
<p>#11</p>  <p>Allen wrench 1 pcs</p>	<p>#12</p>  <p>Bolt 8 pcs</p>	<p>#13</p>  <p>Nut 8 pcs</p>	<p>#14</p>  <p>1 pcs</p>	<p>#15</p>  <p>Leg Panel 1 PCS</p>
				<p>#16</p>  <p>Leg Panel 1 PCS</p>