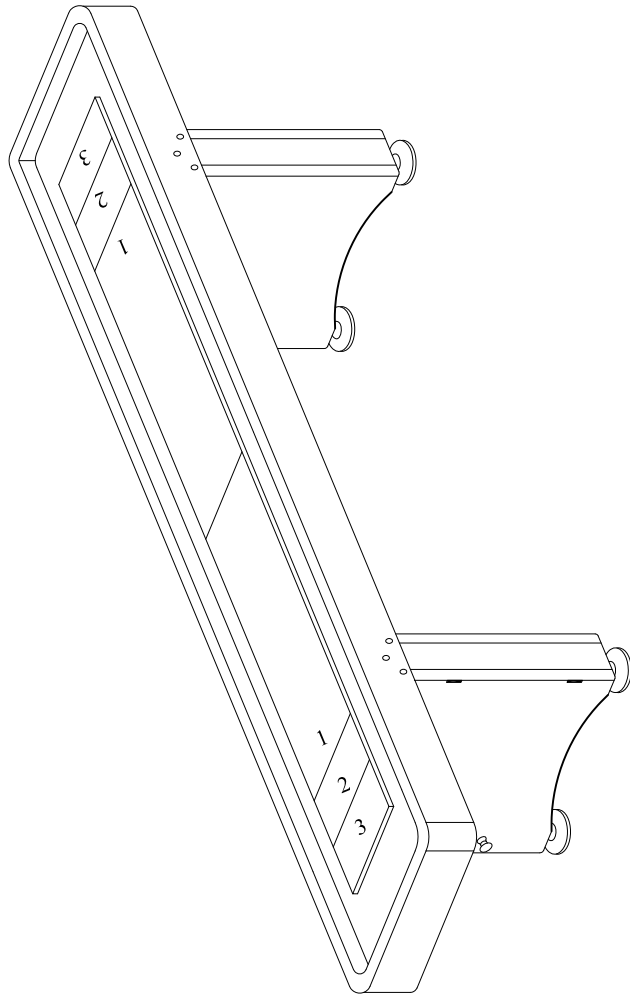


INSTRUCTION MANUAL FOR SHUFFLEBOARD



ASSEMBLY INSTRUCTION

#1	Cabinet 1 pc	#2	Leg 2 pcs	#3	Board 1 pc	#4	Leg Leveler 4 pcs	#5	5/16"*2-1/4" Bolt 12 pcs
#6	5/16"*23mm Washer 12 pcs	#7	Red and blue puck each 4 pcs	#8	Slide scoring unit 2 set	#9	Screw F4*1-1/2" 4 pcs	#10	Wood cap 4 pcs

#11	Wrench 1 pc	#12	Handle 1 set	#13	Shuffleboard speed wax 1 pc	#14	Wrench 1 pc
-----	----------------	-----	-----------------	-----	--------------------------------	-----	----------------

Step 1: Assembly of Legs

* Use blot(#5) and washer(#6) to secure leg(#2) to cabinet(#1) as shown in the figure 1.

* Install leg levelers(#4) as shown in the figure 1.

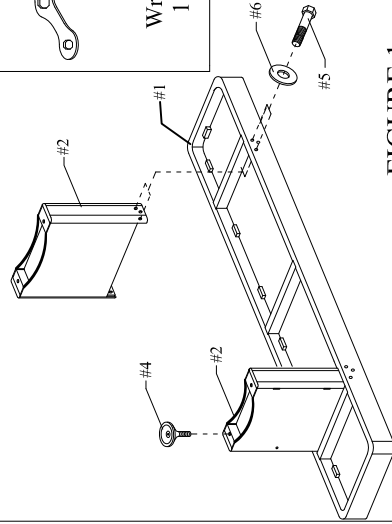


FIGURE 1

Step 2: Assembly of slide scorer and handle

NOTE: Do not allow the weight of the table to rest on the side of the legs. Use two person or more persons to turn the table right side up.

* Use blot to handle(#12) to secure leg(#2) as shown in the figure 2.

* Use screw(#9) to attach the wood scorer(#8) to the cabinet as shown.

* Put the wood cap(#10) into screw holes.

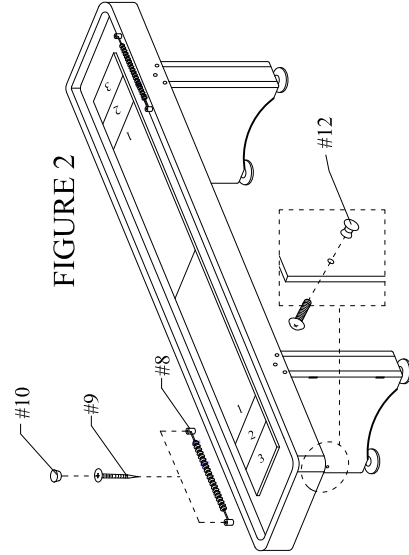


FIGURE 2