



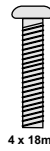
3x12 mm

A
16x



4x16 mm

B
6x



4 x 18mm

C1
26x



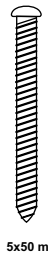
W 4mm

C2
26x



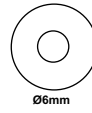
4x25 mm

D
4x



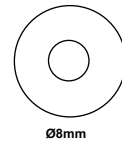
5x50 mm

E
12x



Ø6mm

F
4x



Ø8mm

G
32x



8 x 25mm

H
24x



8 x 35mm

I
8x



W 6mm

J
4x



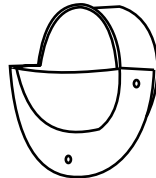
K
4x



L
16x



M
32x



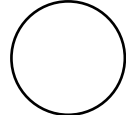
N
2x



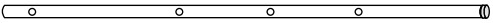
O
11x



P
11x



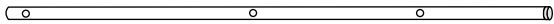
Q
3x



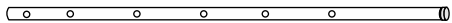
R 4x



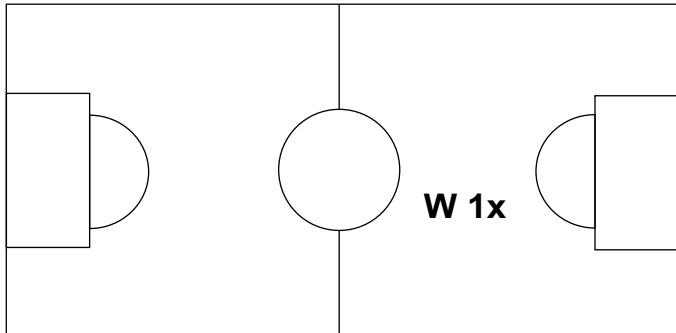
V 2x



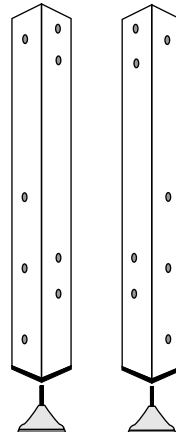
S 2x



T 2x

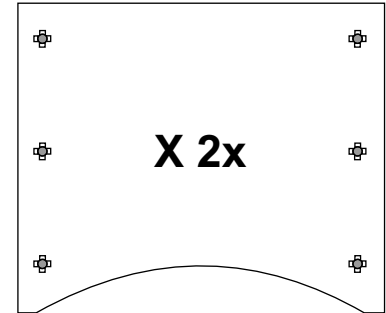


W 1x

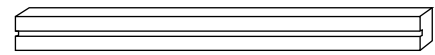


Y1 2x

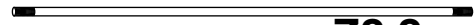
Y2 2x



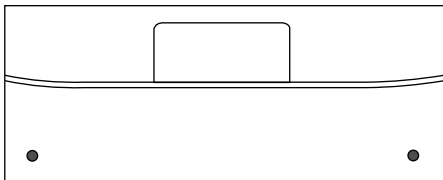
X 2x



Z1 2x



Z2 2x



CC 2x



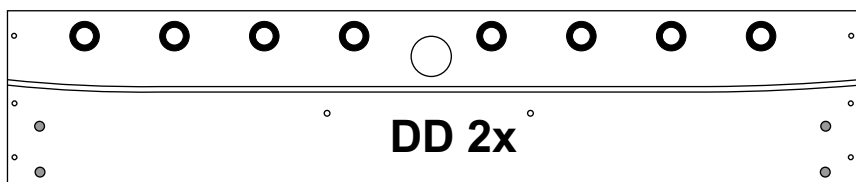
AA 2x



BA 2x

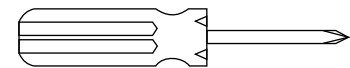
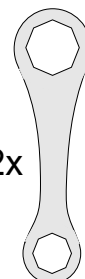


BB 2x



DD 2x

2x



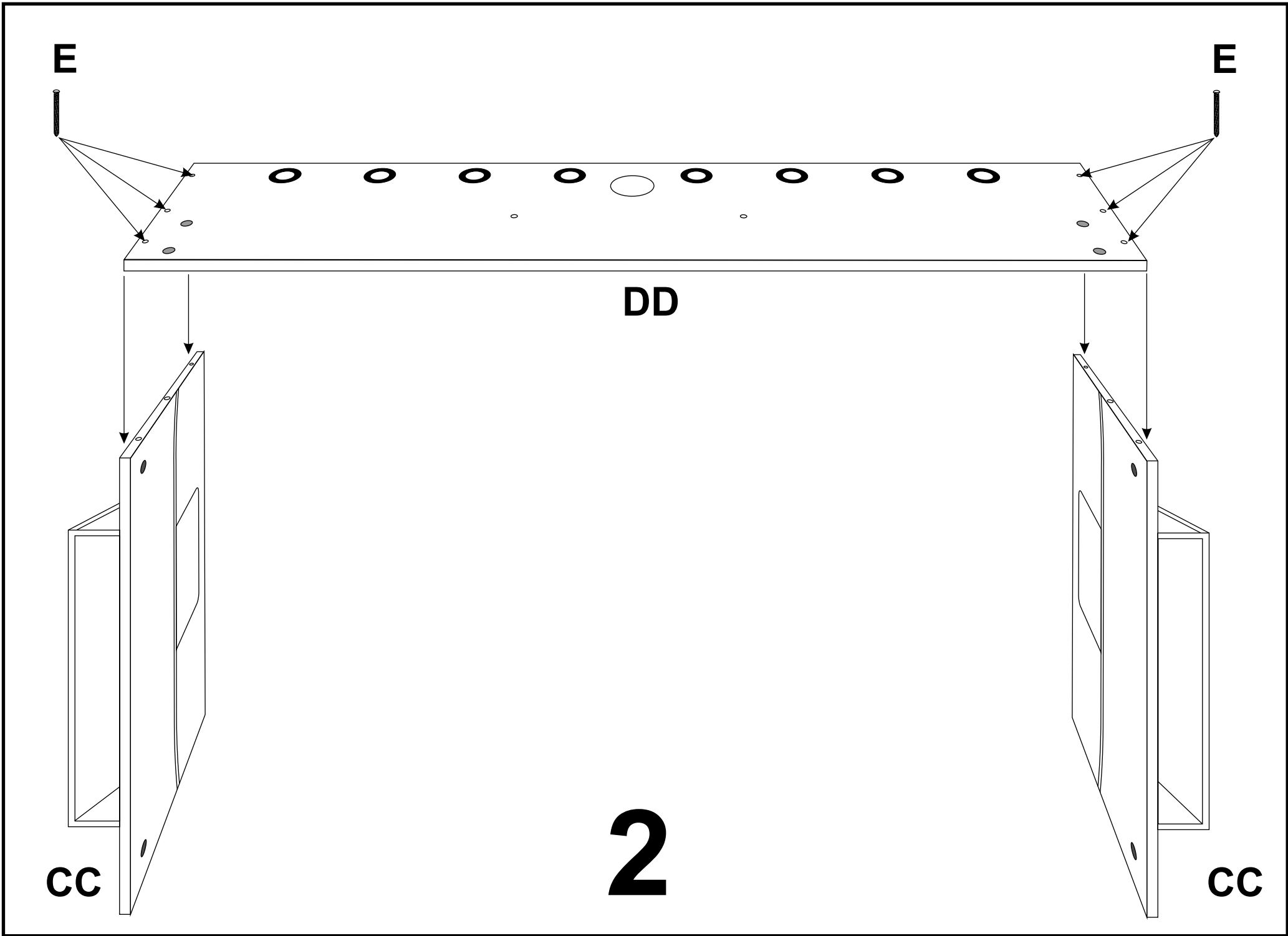
1

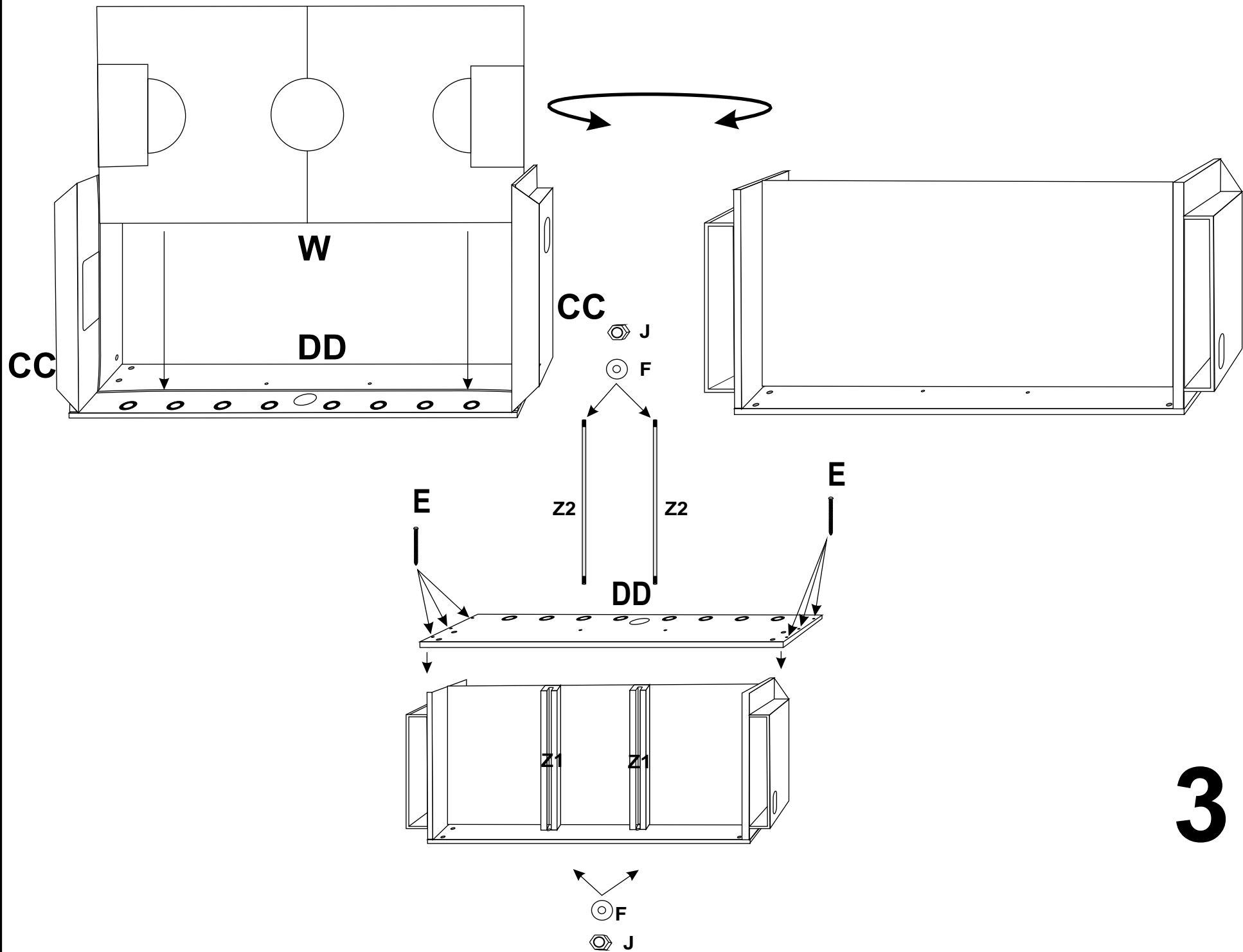


R1 8x

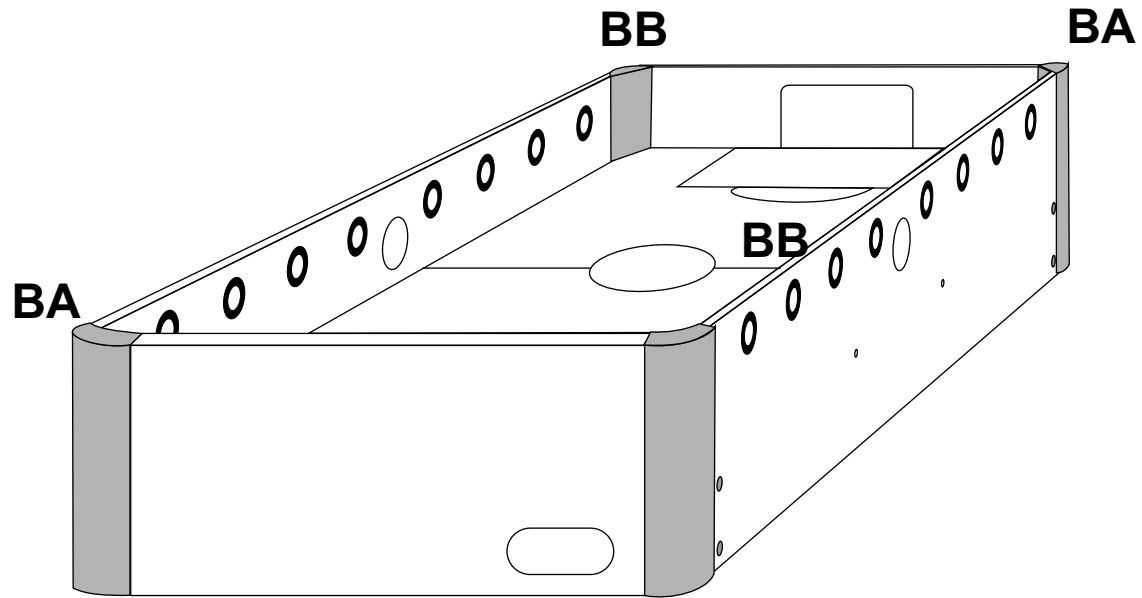
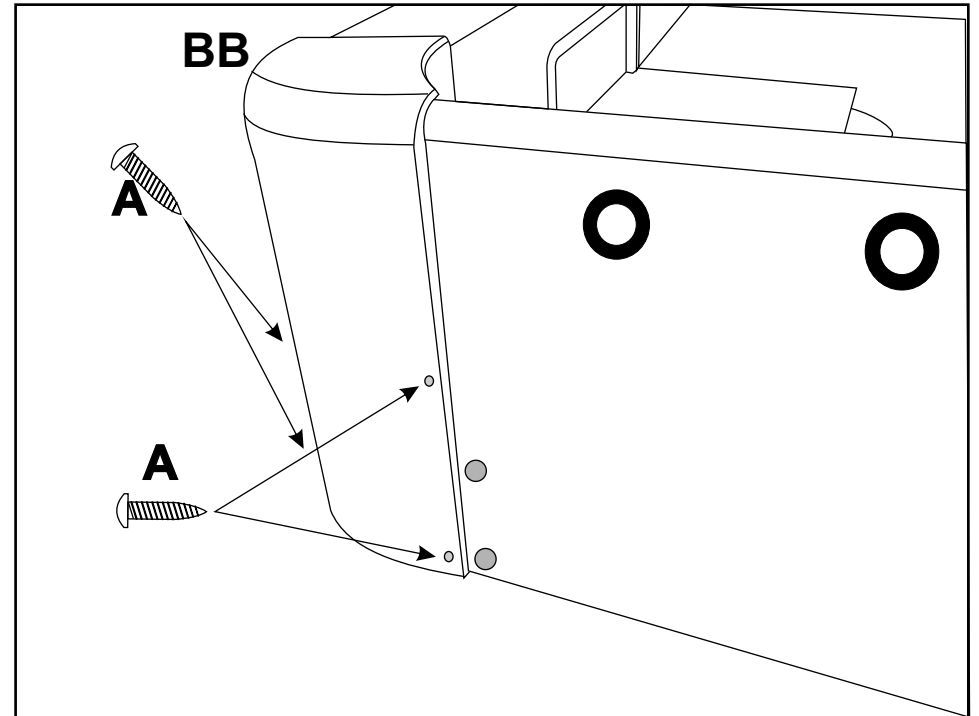
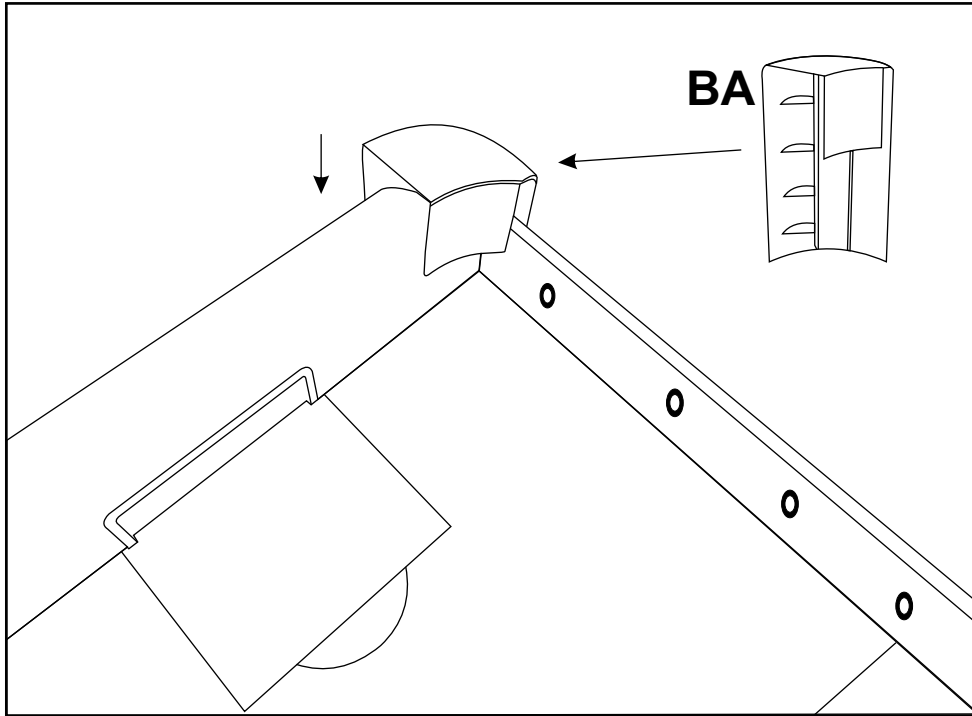


R2 8x

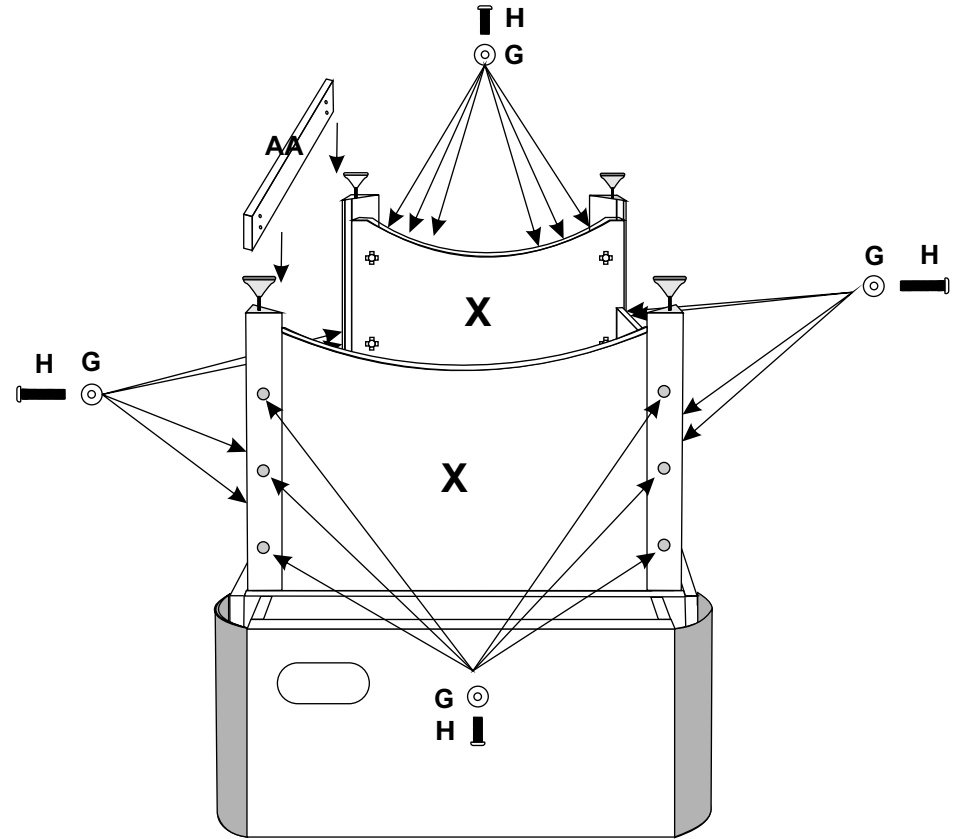
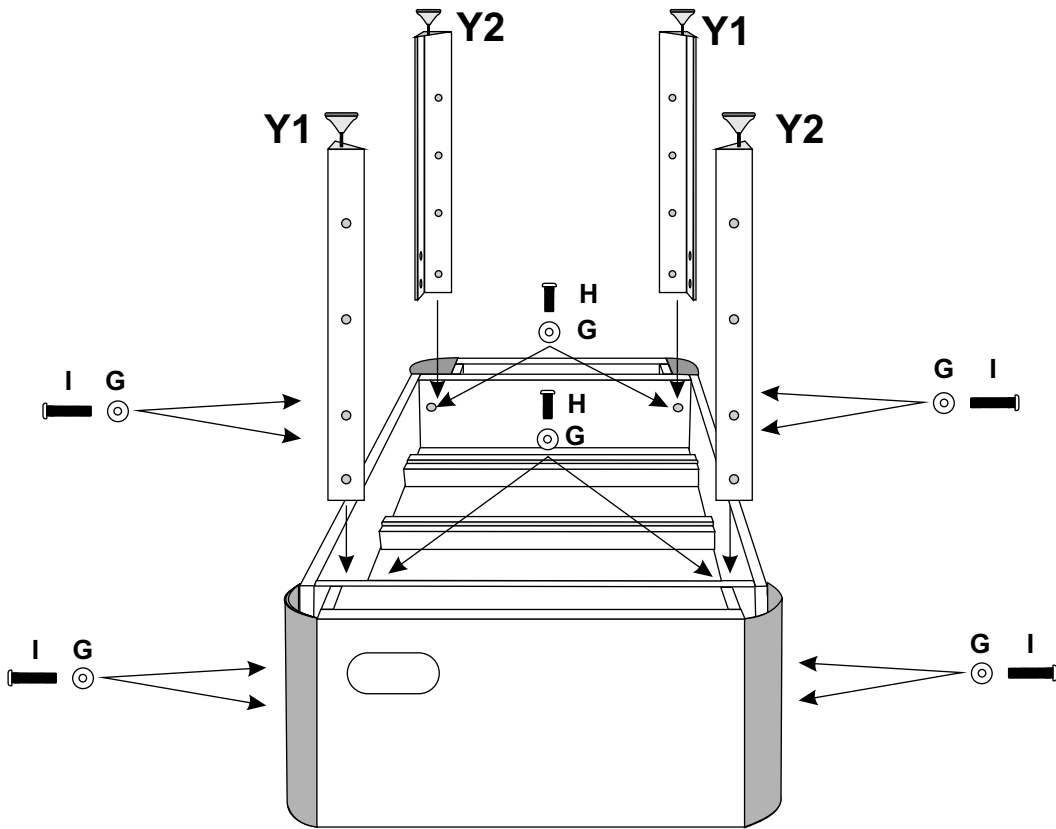


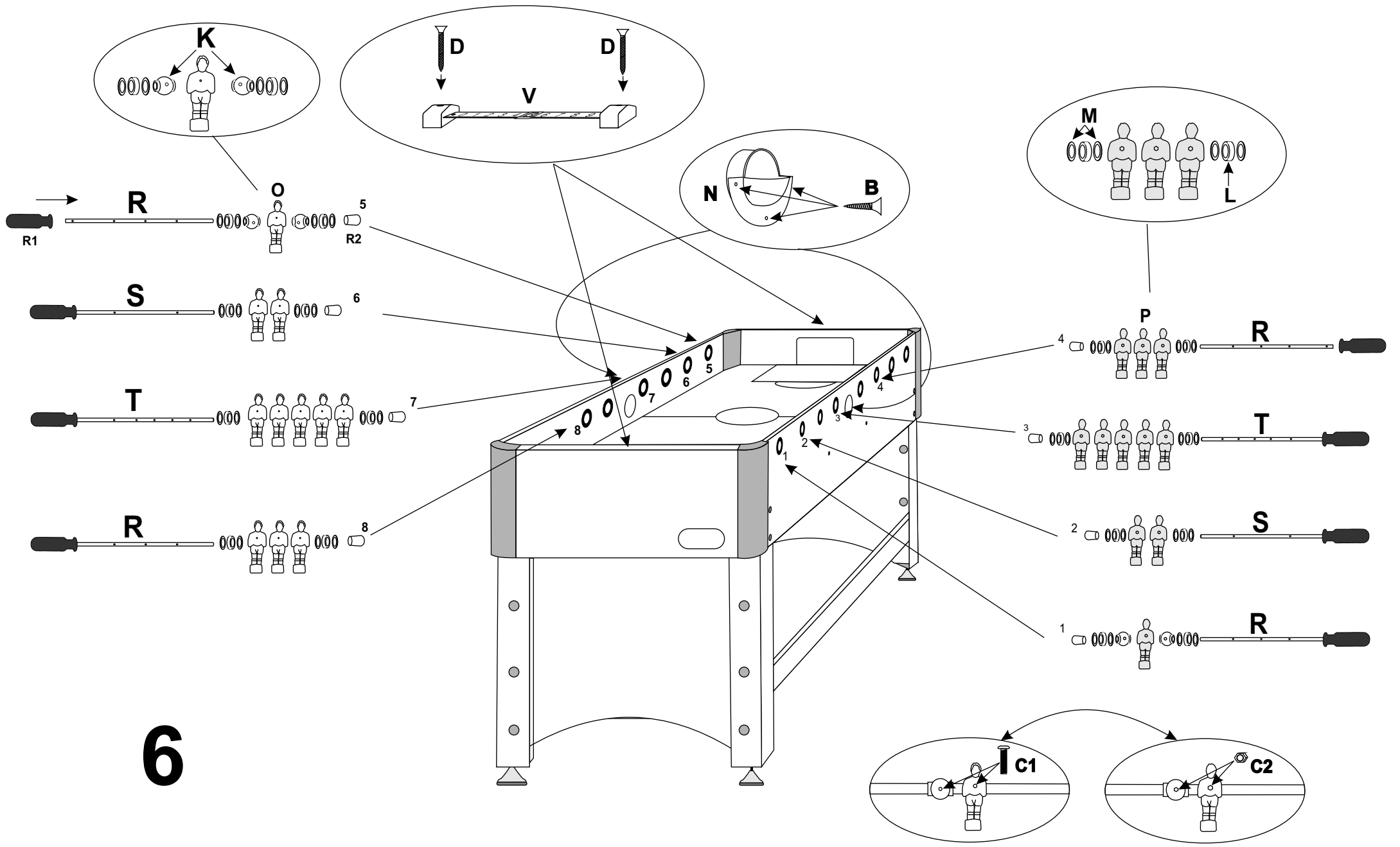


3



5





6