

# ASSEMBLY INSTRUCTIONS



**Model:**

**AHDB06BK - Black**

**AHDB06CH - Cherry**






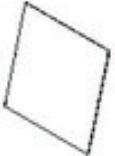










Congratulations on Selecting a Playcraft air hockey table! Playcraft is a leader in the industry providing high quality value priced products. Please contact us toll free at (888) 367-3095 or via email at [support@playcraft.com](mailto:support@playcraft.com) should you require any assistance.

## For Your Safety

- 1) Please read all safety instructions and directions before assembly. During assembly and while using the table, please consider that the table is heavy and requires at least two people to lift or move
- 2) During the assembly process, after attaching the legs, lift the table to turn it over. Do not roll the table over onto the legs or they could become damaged.
- 3) Only use the table for its intended purpose
- 4) Damaged or worn parts may be dangerous for users and the integrity of the table. Replace worn or damaged components immediately and do not use the table until any issues have been resolved. For best results, use only spare parts supplied by Playcraft.
- 5) Unauthorized repairs or altering the table's design or functions may be dangerous and will void the warranty.
- 6) Check all screws, bolts, etc. on a regular basis to ensure that they are in good working condition and have not loosened over time.
- 7) Your table is designed for use in an indoor, climate controlled environment only. Damage can occur if the table is exposed to water, dampness, high humidity, freezing temperatures, etc.
- 8) Be aware that hard hit air hockey pucks can injure players or bystanders that are close to the table. Please use caution.
- 9) Never spray a cleaner directly onto the playfield. If the playfield needs to be cleaned, use a mild, non abrasive cleaner applied sparingly to a damp rag and wipe the playfield while the blower is turned on.

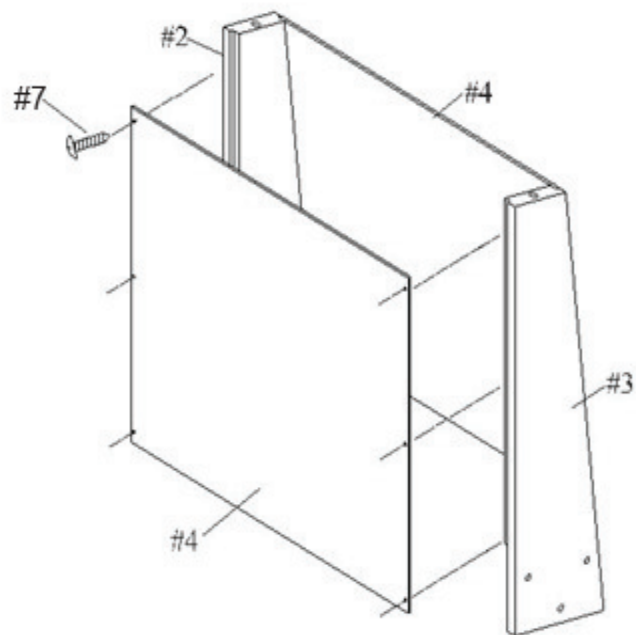


# Parts List

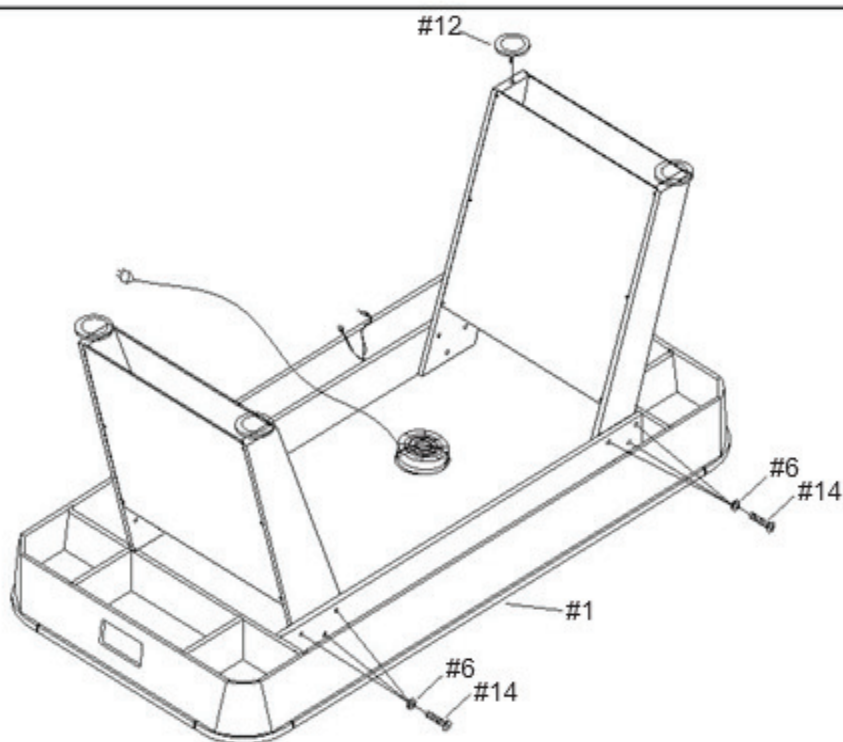
<b>#1</b>  Table Body 1 set	<b>#2</b>  Left Leg 2 pieces	<b>#3</b>  Right Leg 2 pieces	<b>#4</b>  Leg Panel 4 pieces
<b>#5</b>  Electronic Scorer 1 piece	<b>#6</b>  19MM Washer 12 pieces	<b>#7</b>  4x35MM Washer Head Screw 24 pieces	<b>#8</b>  4x15MM Screw 2 pieces
<b>#9</b>  75mm Round Puck 2 pieces	<b>#10</b>  63mm Round Puck 2 pieces	<b>#11</b>  Pusher 2 pieces	<b>#12</b>  Leg Leveler 4 pieces
<b>#13</b>  Allen Tool 1 piece	<b>#14</b>  M8X50 MM Bolt 12 pieces	<b>#15</b> (A & B wires: 1 wire set per goal) Scorer Sensor Wire 2 pieces	

ADDITIONAL EQUIPMENT REQUIRED:

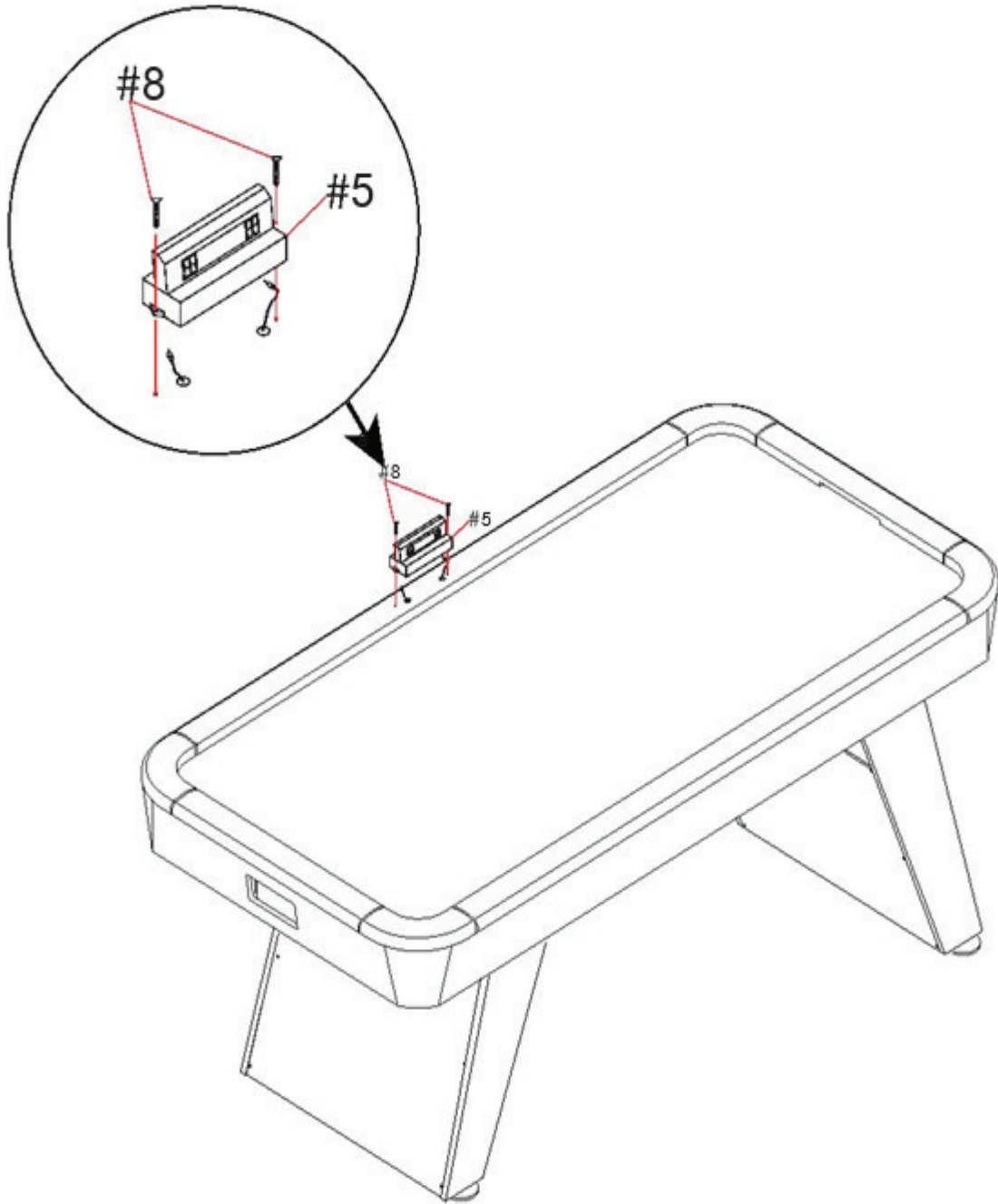




Assemble both legs following the illustration. Connect leg panel (#4) to left leg (#2) and right leg (#3) using 4x35mm screws (#7) .



Turn table body (#1) upside down on the shipping carton face or a carpeted surface . Be sure to protect the playfield . Place a now completed leg assembly into the frame of the table body (#1) and secure with a washer (#6) and bolt (#14) assembly . Repeat for the other leg .



Carefully rotate the now completed table assembly so that it is upright. Please do not use the legs for leverage when rotating the table. Install scoring contacts into the electronic scorer (#5) and then connect the scorer to the table using 4x15mm screws (#8)



**WARNING!** Do not mix old and new batteries. Do not mix alkaline, standard (carbon - zinc), or rechargeable (nickel cadmium) batteries. Do not dispose of batteries in a fire. Batteries may explode or leak.

**NOTE:** Please clean the battery contacts of the device prior to battery installation. Make sure to remove batteries from the scorer when not being used for an extended period of time. Remove old batteries promptly.

## **Customer Service**

For questions on assembly or for missing or damaged parts, please contact us toll free at (888) 367-3095 or via email at [support@playcraft.com](mailto:support@playcraft.com). Please visit our website at [www.playcraft.com](http://www.playcraft.com) to see more industry leading Playcraft and Playcraft Sport game tables.

**Thank you for choosing Playcraft!**

Global Merchants, Inc.  
12 Lunar Drive  
Woodbridge, CT 06525